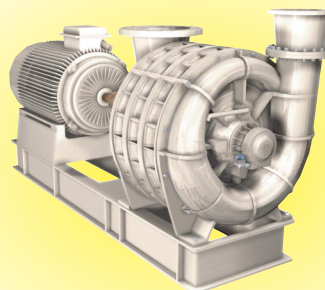


# TECHNICAL DATA SHEET

## TECHNICAL DATA

Number of stage : 1 thru 9 (cast)  
 Inlet connection : 6" (152 mm) flange, matches 125# ANSI  
 Outlet connection : 6" (152 mm) flange, matches 125# ANSI  
 Operating speed : 3600 rpm in direct drive (60Hz)  
 Lubrication : Grease lubricated  
 Impeller diameter : 24" (611 mm)  
 Impeller tip speed : 439 f/s (133.26 m/s)  
 Drive : Direct drive or gear box or V-belts  
 Vibration tolerance : 1.25 mils peak-to-peak (4.5 mm /s)  
 Shaft end : 1" 3/4 (45 mm), inlet end drive standard.

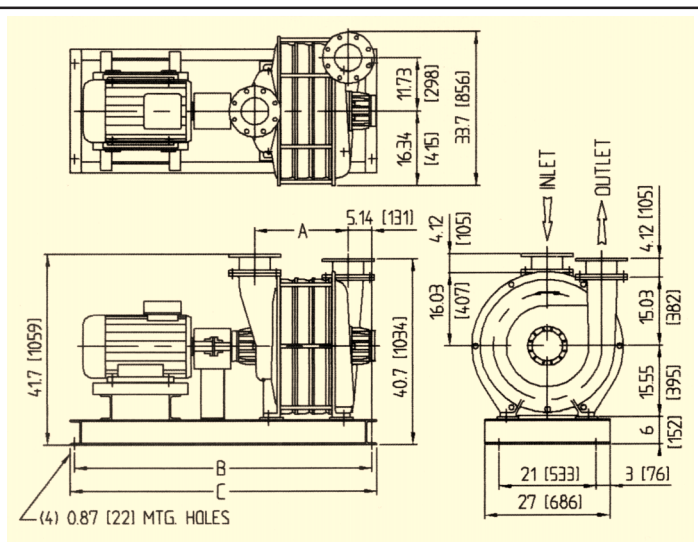
## "51" SERIES



## AIR & GAS

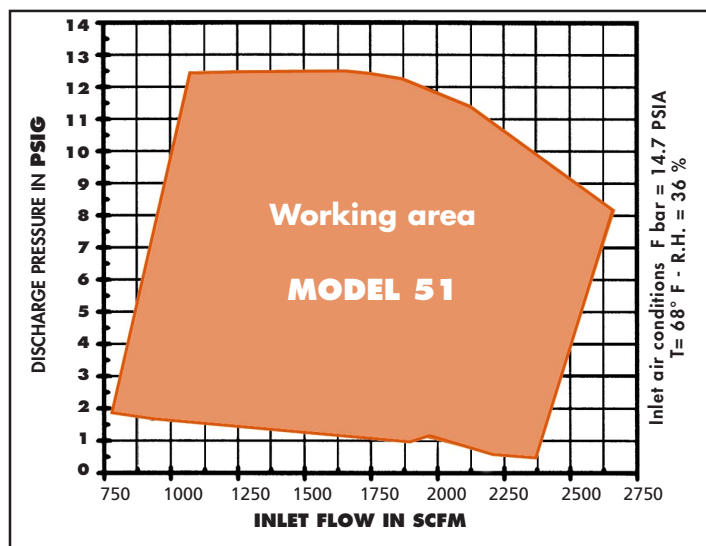
## MATERIALS OF CONSTRUCTION

Heads, Bearing housings : Cast iron ASTM A-48 Class 35B  
 Sections : Cast aluminium ASTM 356 or equivalent (cast iron optional)  
 Tie rods : 13/16" (20 mm) diameter cold drawn steel A60  
 Joint sealing compound : RTV IS502 Silicone  
 Seals (air) : Two graphit rings each end  
 Seals (gas) : Four carbon rings each end with inert gas injection  
 Bearings : Ball bearings 6410 C3 per AFBMA B10 STANDARD  
 Shaft : AISI 1038 CARBON STEEL or equivalent  
 Impellers : Cast aluminium ASTM 360 or equivalent  
 Baffle rings : Stainless steel  
 Motor pedestal : Structural steel  
 Base pads : Korfund Elasto-rib or equivalent  
 Noise level : In compliance with OSHA standards when machine is fully piped (certified tests available).



| BLOWER SIZE | "A"         | "B"         | "C"         | WEIGHT<br>LBS   KG |     |
|-------------|-------------|-------------|-------------|--------------------|-----|
| 5101        | 9.21 (234)  | 46.0 (1372) | 48.0 (1676) | 937                | 425 |
| 5102        | 12.83 (326) | 52.0 (1524) | 54.0 (1829) | 1047               | 475 |
| 5103        | 16.46 (418) | 64.0 (1676) | 66.0 (1880) | 1168               | 530 |
| 5104        | 20.08 (510) | 64.0 (1880) | 66.0 (2184) | 1256               | 570 |
| 5105        | 23.71 (602) | 70.0 (2184) | 72.0 (2489) | 1366               | 620 |
| 5106        | 27.33 (694) | 82.0 (2286) | 84.0 (2591) | 1488               | 675 |
| 5107        | 30.96 (786) | 82.0 (2286) | 84.0 (2591) | 1576               | 715 |
| 5108        | 34.57 (878) | 94.0 (2591) | 96.0 (2896) | 1697               | 770 |
| 5109        | 38.19 (970) | 94.0 (2896) | 96.0 (3200) | 1785               | 810 |

DIMENSIONS ARE IN INCHES AND (MM)  
 ACTUAL DIMENSIONS MAY VARY SLIGHTLY TO SUIT APPLICATION



Values, dimensions and reference in this brochure are approximate and intended as a guide only, not for construction and are subject to change without notice.

CONTINENTAL BLOWER LLC . CONTINENTAL BLOWER LLC . CONTINENTAL BLOWER LLC . CONTINENTAL BLOWER LLC .

