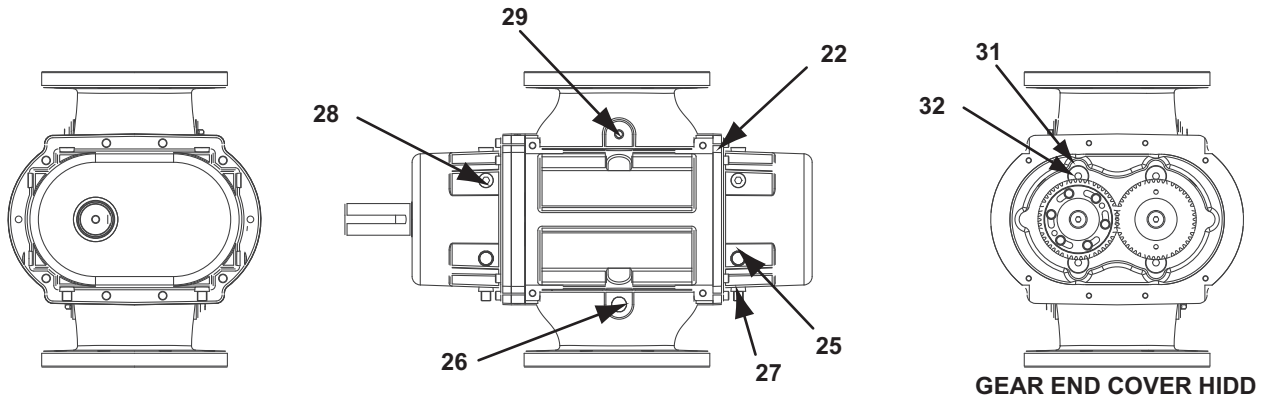
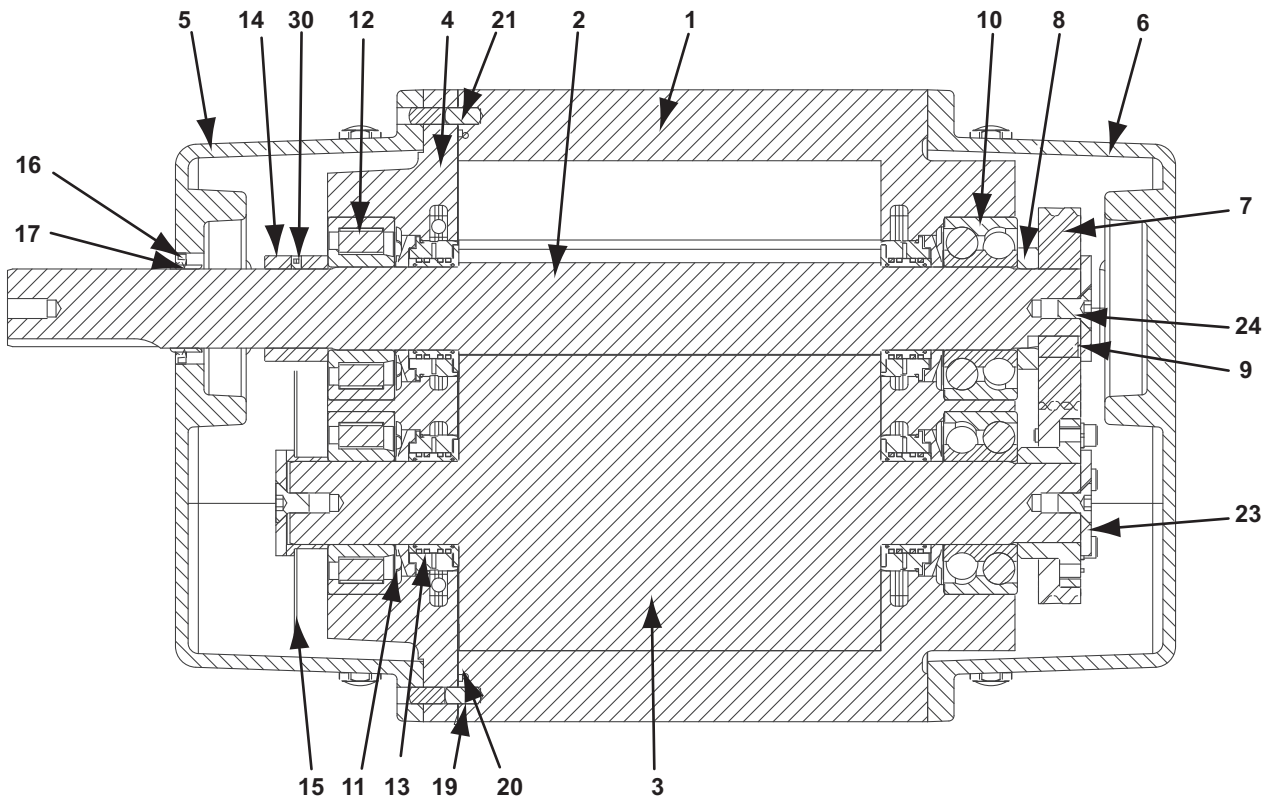


CUTAWAY DRAWING FOR Qx-3200 AND Qx-4600 SERIES BLOWERS

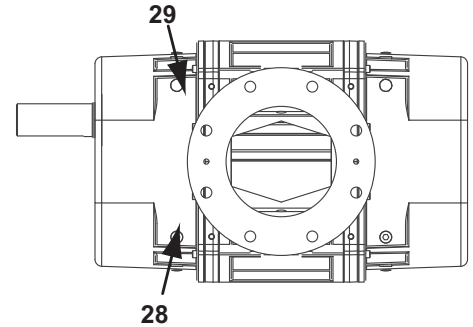
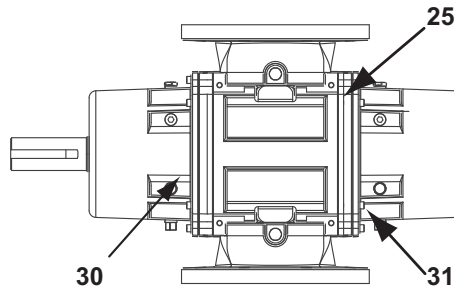
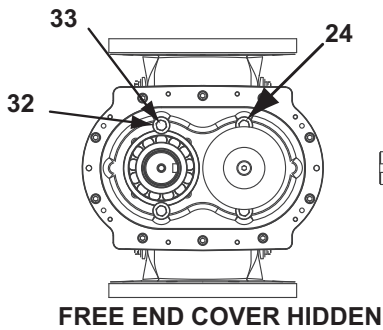
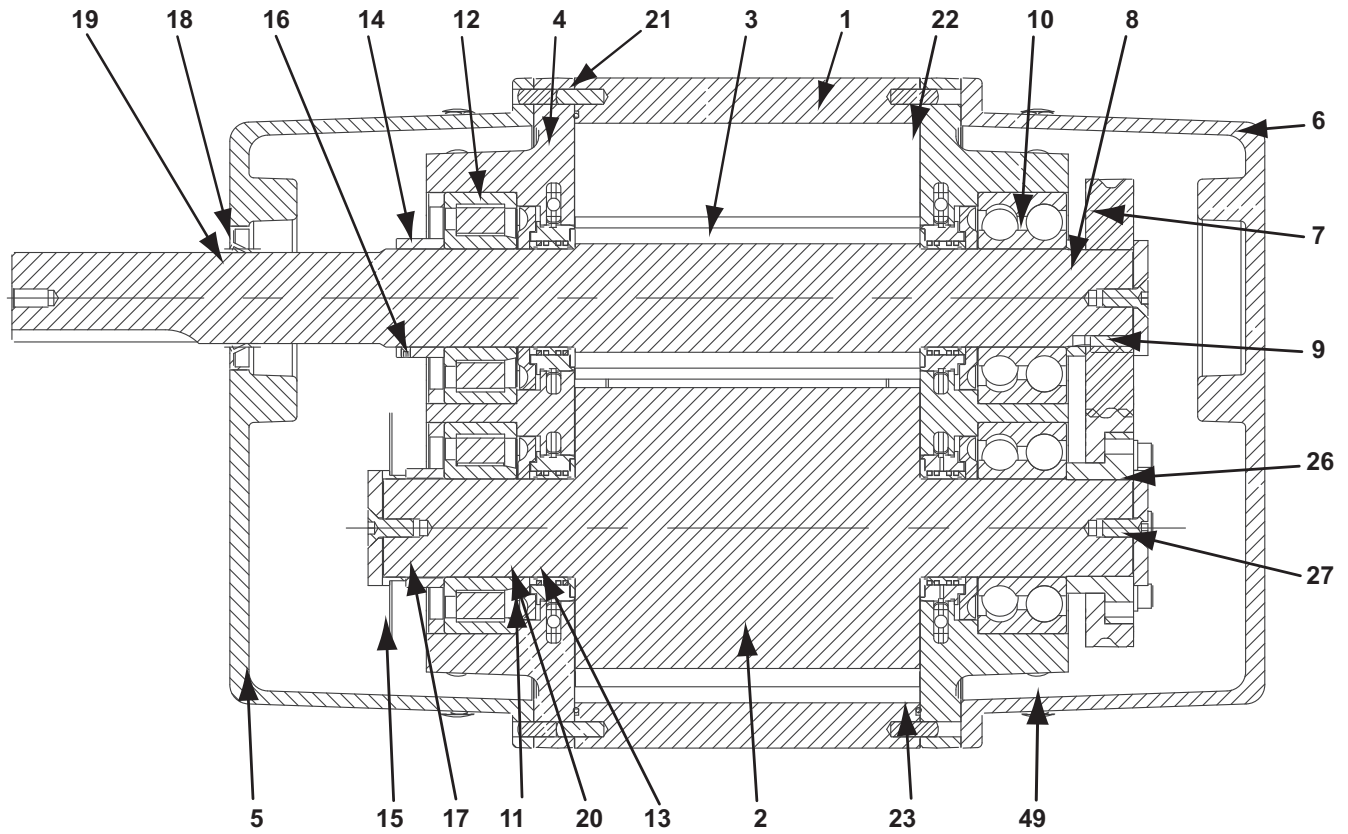


PARTS LIST FOR Qx-3200 AND Qx-4600 SERIES BLOWERS

ITEM NO.	PART DESCRIPTION	QTY
1	HOUSING	1
2	DRIVEN ROTOR	1
3	DRIVE ROTOR	1
4	ENDPLATE	1
5	DRIVE COVER	1
6	GEAR END COVER	1
7	GEAR ASSEMBLY	1
8	GEAR SPACER	1
9	GEAR KEY	2
10	BALL BEARING	2
11	BEARING SHIELD	4
12	CYLINDER BEARING	2
13	SEAL ASSEMBLY	4
14	DRIVE COLLAR	1
15	OIL SLINGER	1
16	LIP SEAL	1

ITEM NO.	PART DESCRIPTION	QTY
17	SEAL WEAR RING	1
18	BEARING SHIM	—
19	HOUSING SHIM	—
20	O-RING	1
21	DOWEL PIN	4
22	CAP SCREW	26
23	ROTOR WASHER	3
24	FLAT CAP SCREW	3
25	OIL SIGHT GLASS	4
26	HEX PIPE PLUG	2
27	OIL DRAIN PLUG	4
28	SOCKET PIPE PLUG	8
29	SQUARE PIPE PLUG	2
30	SET SCREW	2
31	WASHER	4
32	CAP SCREW	4

CUTAWAY DRAWING FOR Qx-6000 SERIES BLOWERS



PARTS LIST FOR Qx-6000 SERIES BLOWERS

ITEM NO.	PART DESCRIPTION	QTY
1	HOUSING	1
2	DRIVEN ROTOR	1
3	DRIVE ROTOR	1
4	ENDPLATE	2
5	DRIVE COVER	1
6	GEAR END COVER	1
7	GEAR ASSEMBLY	1
8	GEAR SPACER	1
9	TIMING GEAR KEY	2
10	BALL BEARING	2
11	BEARING SHIELD	4
12	CYLINDER BEARING	2
13	SEAL ASSEMBLY	4
14	DRIVE COLLAR	1
15	OIL SLINGER	1
16	SET SCREW	2
17	OIL SLINGER SPACER	1

ITEM NO.	PART DESCRIPTION	QTY
18	LIP SEAL	1
19	SEAL WEAR RING	1
20	BEARING SHIM	—
21	HOUSING SHIM	—
22	ORING	2
23	DOWEL PIN	6
24	CAP SCREW	16
25	CAP SCREW	20
26	ROTOR WASHER	3
27	FLAT CAP SCREW	3
28	SOCKET PIPE PLUG	8
29	HEX PIPE PLUG	6
30	OIL SIGHT GLASS	4
31	OIL DRAIN PLUG	2
32	WASHER	8
33	CAP SCREW	8