

PARTS LIST FOR EQUALIZER RM MODEL 4600 17/46 SERIES BLOWERS

| ITEM NO. | PART DESCRIPTION | 17 QTY | 46 QTY |
|----------|----------------------------|--------|--------|
| 1 | ROTOR, DRIVE | 1 | 1 |
| 2 | ROTOR, DRIVEN | 1 | 1 |
| 3 | HOUSING | 1 | 1 |
| 4 | END PLATE | 2 | 2 |
| 6 | END COVER, DE | 1 | 1 |
| 7 | END COVER, BE | 1 | 1 |
| 8 | GEAR ASSEMBLY | 1 | 1 |
| 9 | BEARING, DBL ROW BALL | 2 | 2 |
| 10 | BEARING,CYLINDRICAL ROLLER | 1 | 1 |
| 12 | LIP SEAL | 4 | 4 |
| 13 | LIP SEAL | 1 | 1 |
| 14 | RETAINER PLATE | 4 | 4 |
| 20 | OIL SLINGER | 1 | 1 |
| 20 | SLINGER | 1 | 1 |
| 22 | DOWEL PIN | 4 | 4 |
| 23 | KEY, DRIVE SHAFT | 1 | 1 |
| 24 | KEY, GEAR | 2 | 2 |
| 25 | WASHER | 2 | 2 |
| 26 | CAP SCREW | 28 | 28 |
| 27 | WASHER | 1 | 1 |
| 29 | CAP SCREW | 2 | 2 |
| 31 | MAGNETIC DRAIN PLUG | 2 | 2 |
| 37 | BREATHER | 2 | 2 |
| 42 | NAMEPLATE | 1 | 1 |
| 50 | ROLLER BEARING | 1 | 1 |
| 58 | SEAL RING | 4 | 4 |
| 62 | CAP SCREW | 16 | 16 |
| 68 | ROLL PIN | 1 | 1 |
| 70 | OIL GAUGE | 2 | 2 |
| 80 | WASHER | 8 | 8 |
| 90 | SET SCREW | 2 | 2 |
| 123 | BEARING SPACER | 4 | 4 |
| 126 | ROLL PIN | 4 | 4 |
| 174 | PIPE PLUG | 4 | 4 |
| 239 | SLEEVE | 4 | 4 |
| 281 | SPACER | 3 | 3 |
| 282 | SPRING | 3 | 3 |
| 304 | MOUNTING FOOT | 2 | 2 |
| 307 | CAP SCREW | 9 | 9 |

NOTES:

- QUANTITIES SHOWN ARE MAXIMUM VALUES;
QUANTITIES MAY VARY BETWEEN BLOWER

PARTS KITS ARE AVAILABLE. AS FOLLOWS:

17/46 — P/N 46044

PARTS LIST FOR EQUALIZER RM MODEL 6000 17/46 SERIES BLOWERS

| ITEM NO. | PART DESCRIPTION | 17 QTY | 46 QTY |
|-----------------|-------------------------|---------------|---------------|
| 1 | ROTOR, DRIVE | 1 | 1 |
| 2 | ROTOR, DRIVEN | 1 | 1 |
| 3 | HOUSING | 1 | 1 |
| 4 | END PLATE | 2 | 2 |
| 6 | END COVER, DE | 1 | 1 |
| 7 | END COVER, BE | 1 | 1 |
| 8 | GEAR ASSEMBLY | 1 | 1 |
| 9 | BALL BEARING | 2 | 2 |
| 10 | ROLLER BEARING | 2 | 2 |
| 12 | LIP SEAL | 4 | 4 |
| 13 | LIP SEAL | 1 | 1 |
| 14 | RETAINER PLATE | 4 | 4 |
| 20 | SLINGER | 1 | 1 |
| 22 | DOWEL PIN | 4 | 4 |
| 23 | KEY, DRIVE SHAFT | 1 | 1 |
| 24 | KEY, GEAR | 2 | 2 |
| 25 | WASHER | 2 | 2 |
| 26 | CAP SCREW | 32 | 32 |
| 29 | CAP SCREW | 3 | 3 |
| 30 | CAP SCREW | 2 | 2 |
| 31 | MAGNETIC DRAIN PLUG | 2 | 2 |
| 37 | BREATHER | 2 | 2 |
| 42 | NAMEPLATE | 1 | 1 |
| 58 | SEAL RING | 4 | 4 |
| 62 | CAP SCREW | 16 | 16 |
| 68 | ROLL PIN | 1 | 1 |
| 70 | OIL GAUGE | 2 | 2 |
| 80 | WASHER | 10 | 10 |
| 117 | WASHER | 2 | 2 |
| 123 | BEARING SPACER | 2 | 2 |
| 126 | ROLL PIN | 4 | 4 |
| 174 | PIPE PLUG | 2 | 2 |
| 195 | LIFT LUG | 2 | 2 |
| 239 | SLEEVE | 4 | 4 |
| 281 | SPACER | 2 | 2 |
| 282 | SPRING | 4 | 4 |
| 304 | MOUNTING FOOT | 2 | 2 |
| 304 | MOUNTING FOOT | 2 | 2 |
| 307 | CAP SCREW | 10 | 10 |

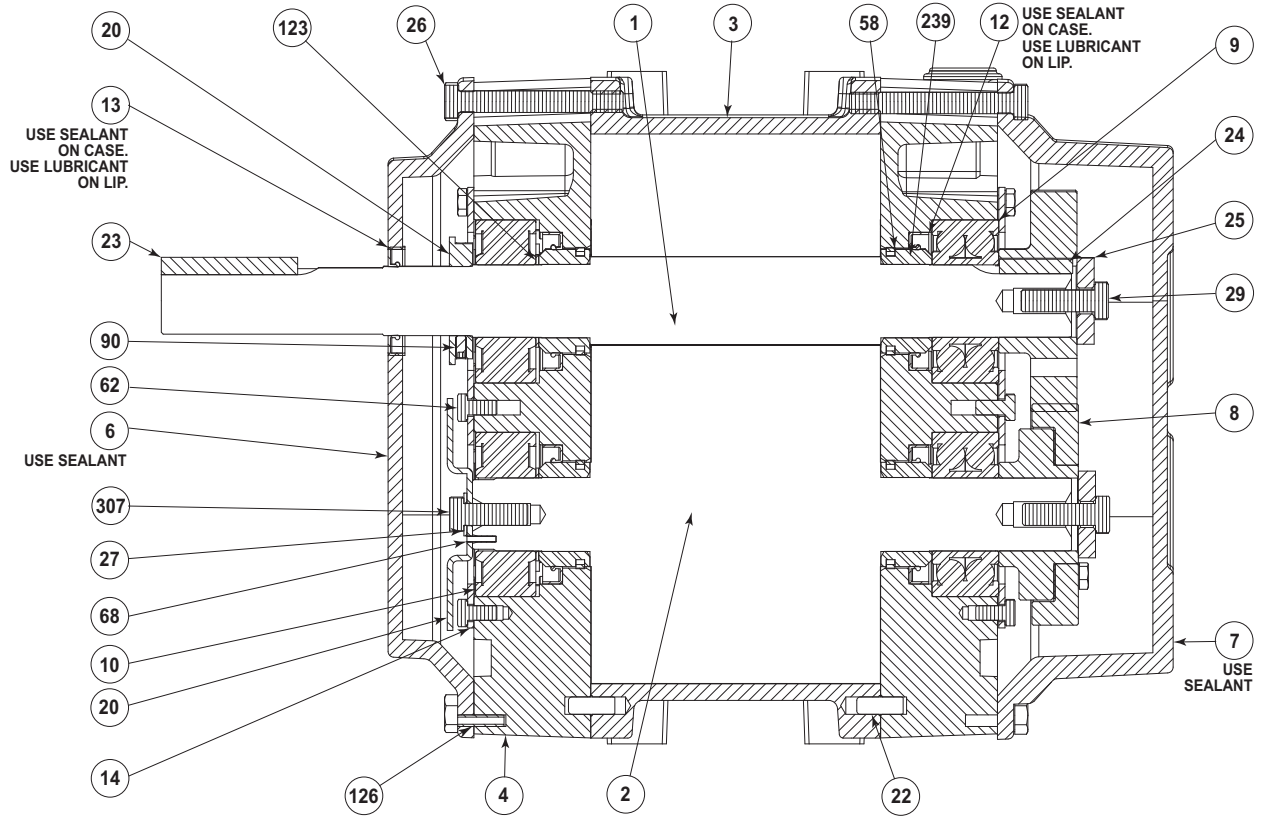
NOTES:

- QUANTITIES SHOWN ARE MAXIMUM VALUES;
QUANTITIES MAY VARY BETWEEN BLOWER

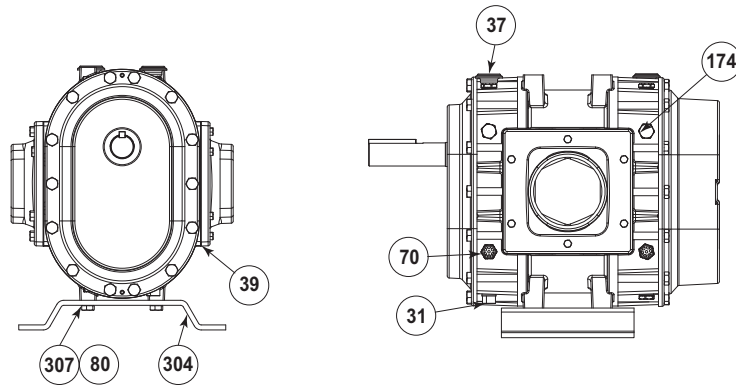
PARTS KITS ARE AVAILABLE, AS FOLLOWS:

17/46 — P/N 60035

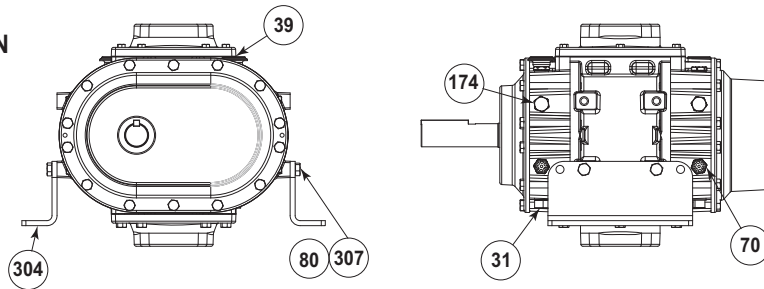
CUTAWAY DRAWING FOR MODELS 4504, 4506, 4509 AND 4512



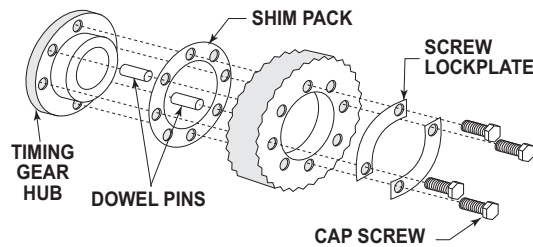
HORIZONTAL FLOW 17 SERIES TOP DRIVE SHOWN



VERTICAL FLOW 46 SERIES LEFT DRIVE SHOWN

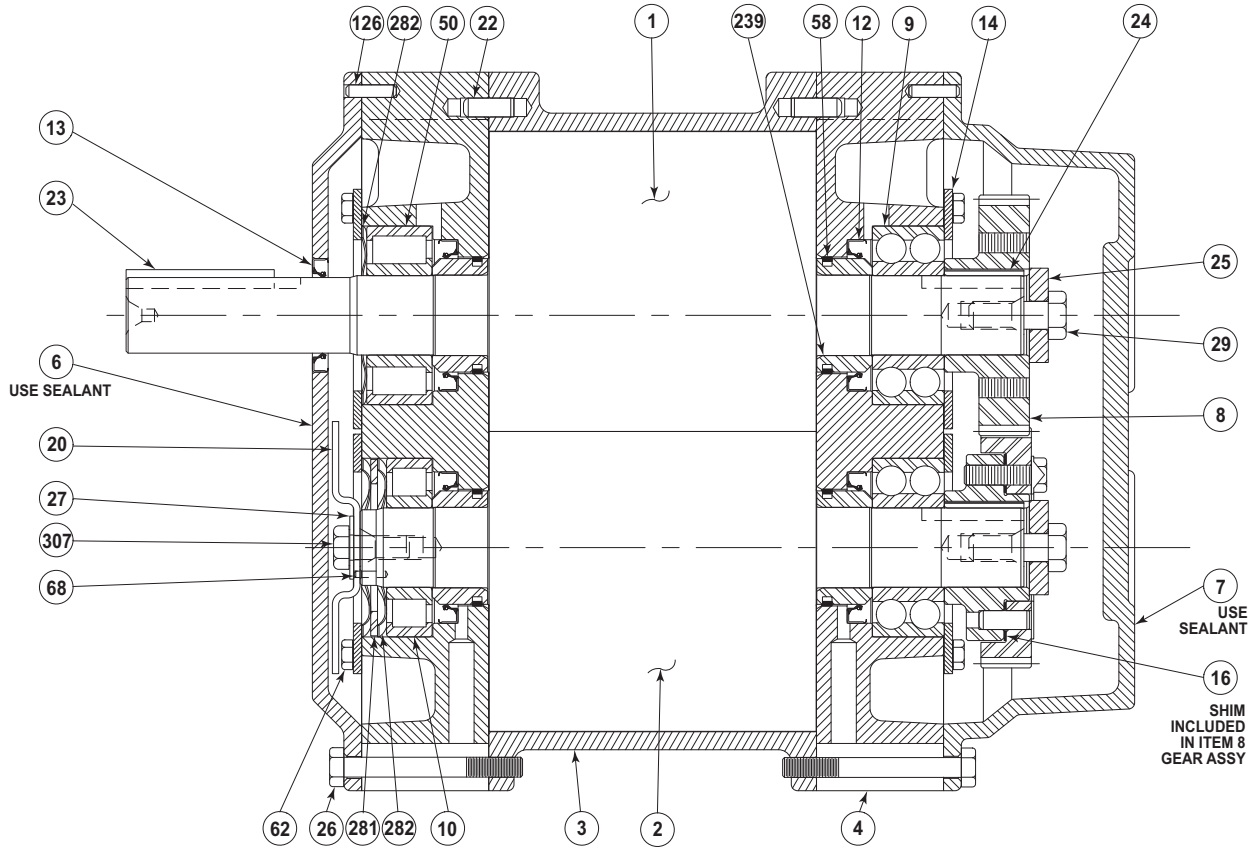


TIMING GEAR ASSEMBLY (ITEM 8)

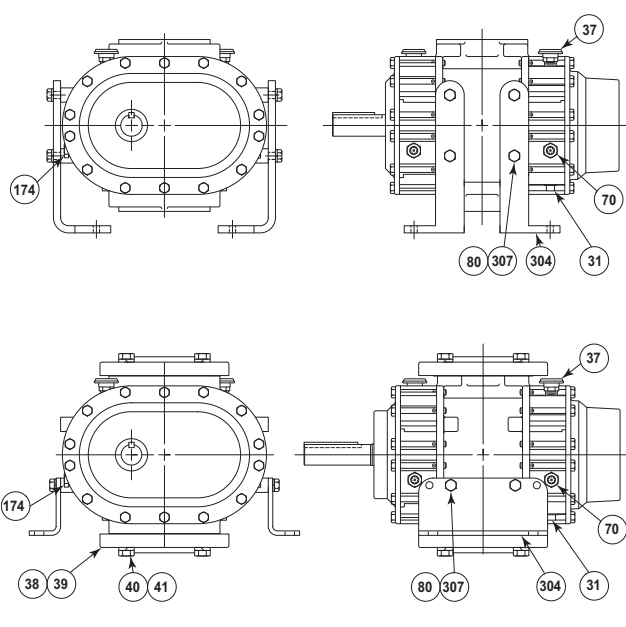


ALL PORTS SHOWN
ARE OPTIONAL

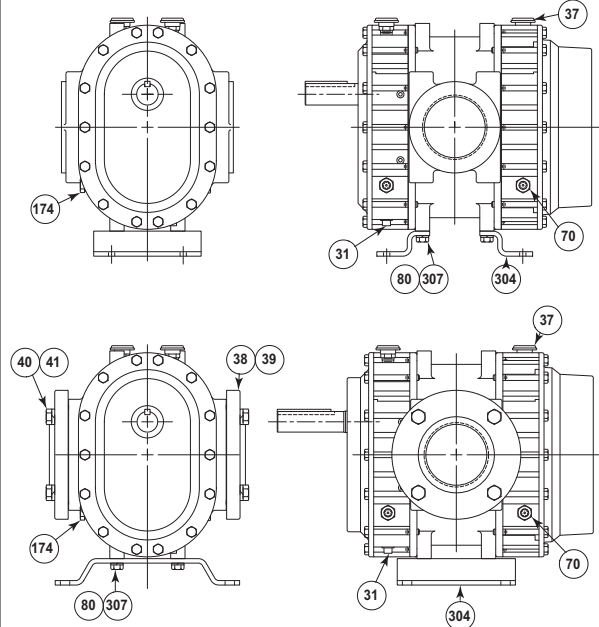
CUTAWAY DRAWING FOR MODELS 4604, 4606, 4609 AND 4612



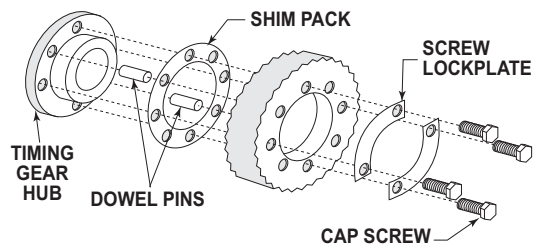
VERTICAL FLOW LEFT DRIVE SHOWN



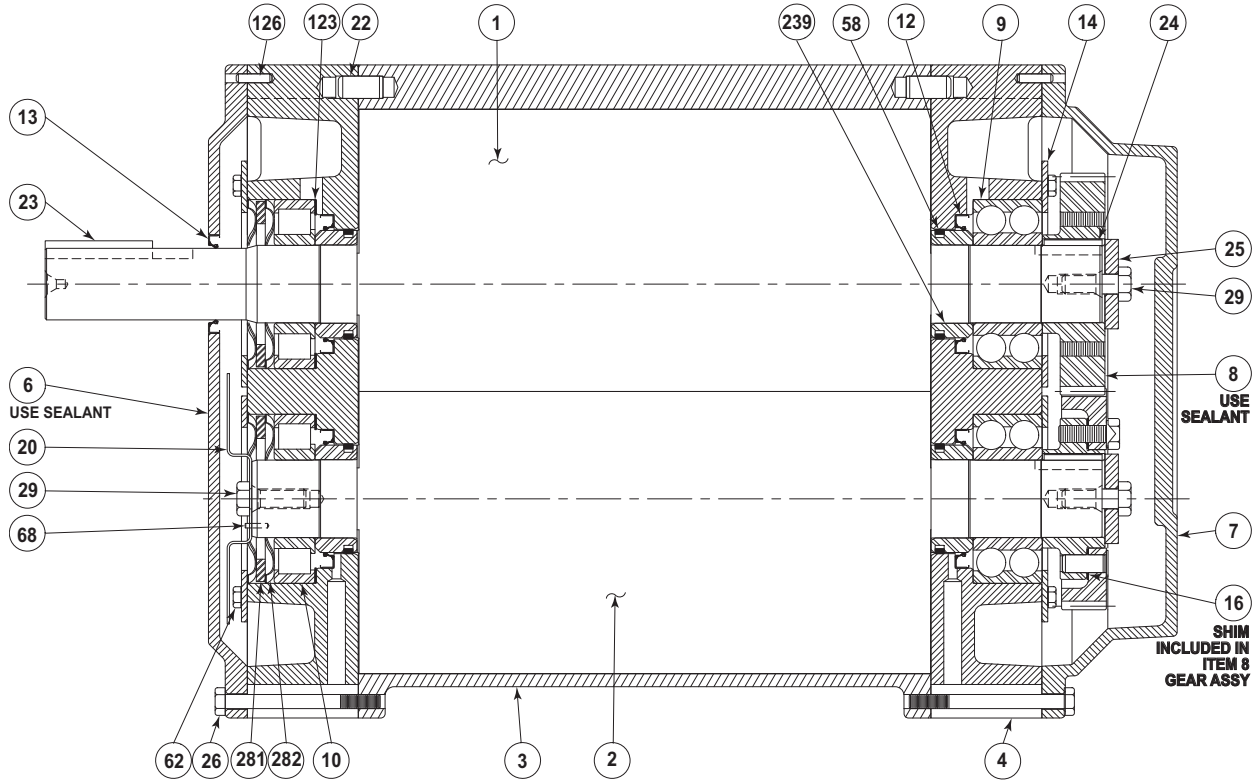
HORIZONTAL FLOW TOP DRIVE ONLY



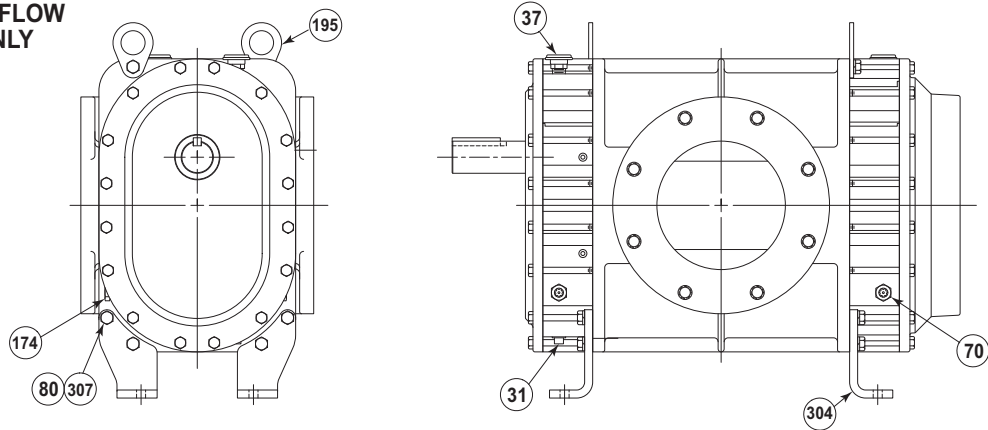
TIMING GEAR ASSEMBLY (ITEM 8)



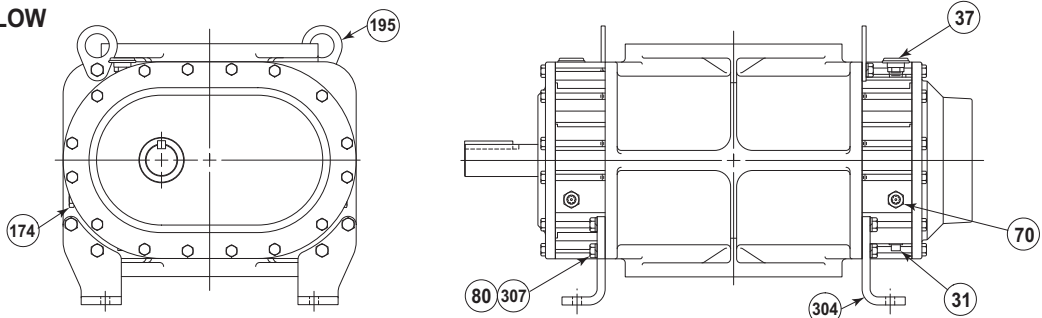
CUTAWAY DRAWING FOR MODELS 6012, 6016, AND 6024



HORIZONTAL FLOW TOP DRIVE ONLY



VERTICAL FLOW



TIMING GEAR ASSEMBLY (ITEM 8)

