

PARTS LIST FOR MODEL 3200 SERIES - 17/46

ITEM NO.	PART DESCRIPTION	17/46 QTY
1	ROTOR	2
3	HOUSING	1
4	END PLATE	2
6	DRIVE END COVER	1
7	FREE END COVER	1
8	TIMING GEAR SET	1
9	BEARING, DRIVE END	2
10	BEARING, FREE END	2
12	LIP SEAL	4
13	LIP SEAL	1
14	RETAINER	4
16	SHIM	2
16	SHIM	6
16	SHIM	2
17	SPACER	1
18	SPACER	1
20	OIL SLINGER	1
21	OIL SLINGER	1
22	DOWEL PIN	0
23	DRIVE SHAFT KEY	1
24	GEAR KEY	2
25	ROTOR SHAFT WASHER	4
26	CAP SCREW, HEX HD	12
26	CAP SCREW, HEX HD	12
27	LOCK WASHER	24
28	GASKET	2
29	CAP SCREW	4
30	CAP SCREW	16
31	MAGNETIC PIPE PLUG	2

ITEM NO.	PART DESCRIPTION	17/46 QTY
37	BREATHER	2
38	PORT FITTING	2
39	PORT FITTING GASKET	2
40	CAP SCREW	24
41	LOCK WASHER	24
42	NAMEPLATE	1
45	DRIVE SHAFT	1
47	RETAINING RING	1
50	BEARING	1
51	LAB SEAL	4
57	SPACER	1
66	CAP SCREW	2
67	SPACER	2
70	OIL GAUGE	2
85	PIPE PLUG	6
98	PIPE PLUG	6
121	PIPE PLUG	3
123	BEARING SPACER	2
129	SPACER	4
174	PIPE PLUG	2
234	OIL LEVEL TAG	2
241	CAP SCREW	12
242	SIGHT GAUGE FRAME	2
243	SIGHT GAUGE GLASS FRAME	2
244	WINDOW GASKET	2
245	FRAME GASKET	2

NOTES:

- QUANTITIES SHOWN ARE MAXIMUM VALUES;
QUANTITIES MAY VARY BETWEEN BLOWER

PARTS KITS ARE AVAILABLE, AS FOLLOWS:

17/46 — P/N 29238

PARTS LIST FOR MODEL 3200 SERIES - 57/81

ITEM NO.	PART DESCRIPTION	57/81 QTY
1	ROTOR	2
3	HOUSING	1
4	END PLATE	2
6	DRIVE END COVER	1
7	FREE END COVER	1
8	TIMING GEAR SET	1
9	BEARING, DRIVE END	2
10	BEARING, FREE END	2
13	LIP SEAL	1
14	RETAINER	4
16	SHIM	2
16	SHIM	6
16	SHIM	2
17	SPACER	1
18	SPACER	1
20	OIL SLINGER	1
21	OIL SLINGER	1
22	DOWEL PIN	0
23	DRIVE SHAFT KEY	1
24	GEAR KEY	2
25	ROTOR SHAFT WASHER	4
26	CAP SCREW, HEX HD	12
26	CAP SCREW, HEX HD	12
27	LOCK WASHER	24
28	GASKET	2
29	CAP SCREW	4
30	CAP SCREW	16
31	MAGNETIC PIPE PLUG	2

ITEM NO.	PART DESCRIPTION	57/81 QTY
37	BREATHER	2
38	PORT FITTING	2
40	CAP SCREW	24
41	LOCK WASHER	24
42	NAMEPLATE	1
45	DRIVE SHAFT	1
47	RETAINING RING	1
50	BEARING	1
51	LAB SEAL	4
54	MECHANICAL SEAL	4
57	SPACER	1
66	CAP SCREW	2
67	SPACER	2
70	OIL GAUGE	0
85	PIPE PLUG	6
98	PIPE PLUG	10
121	PIPE PLUG	2
123	BEARING SPACER	2
174	PIPE PLUG	4
234	OIL LEVEL TAG	2
241	CAP SCREW	12
242	SIGHT GAUGE FRAME	2
243	SIGHT GAUGE GLASS FRAME	2
244	WINDOW GASKET	2
245	FRAME GASKET	2
<p>NOTES:</p> <ul style="list-style-type: none"> • QUANTITIES SHOWN ARE MAXIMUM VALUES; QUANTITIES MAY VARY BETWEEN BLOWER <p><u>PARTS KITS ARE AVAILABLE, AS FOLLOWS:</u> 57/81 — P/N 29239</p>		

PARTS LIST FOR MODEL 3200 SERIES - 64/67

ITEM NO.	PART DESCRIPTION	64/67 QTY
1	ROTOR	2
3	HOUSING	1
4	END PLATE	2
6	DRIVE END COVER	1
7	FREE END COVER	1
8	TIMING GEAR SET	1
9	BEARING, DRIVE END	2
10	BEARING, FREE END	2
14	RETAINER	4
16	SHIM	2
16	SHIM	6
16	SHIM	2
17	SPACER	1
18	SPACER	1
20	OIL SLINGER	1
21	OIL SLINGER	1
22	DOWEL PIN	0
23	DRIVE SHAFT KEY	1
24	GEAR KEY	2
25	ROTOR SHAFT WASHER	4
26	CAP SCREW, HEX HD	12
26	CAP SCREW, HEX HD	12
27	LOCK WASHER	24
29	CAP SCREW	4
30	CAP SCREW	16
31	MAGNETIC PIPE PLUG	2
38	PORT FITTING	2
40	CAP SCREW	24
41	LOCK WASHER	24
42	NAMEPLATE	1
45	DRIVE SHAFT	1
50	BEARING	1

ITEM NO.	PART DESCRIPTION	64/67 QTY
51	LAB SEAL	4
54	MECHANICAL SEAL	4
57	SPACER	1
66	CAP SCREW	2
67	SPACER	2
70	OIL GAUGE	2
74	SPACER	1
75	O-RING	1
76	MECHANICAL SEAL	1
77	SPACER	1
82	WASHER	1
83	LOCK NUT	1
85	PIPE PLUG	10
91	DRIVE SHAFT SEAL ADAPTER	1
92	O-RING	1
93	CAP SCREW	4
98	PIPE PLUG	10
118	SHIM	1
118	SHIM	1
121	PIPE PLUG	4
123	BEARING SPACER	2
140	O-RING	1
234	OIL LEVEL TAG	2
174	PIPE PLUG	0
241	CAP SCREW	12
242	SIGHT GAUGE FRAME	2
243	SIGHT GAUGE GLASS FRAME	2
244	WINDOW GASKET	2
245	FRAME GASKET	2

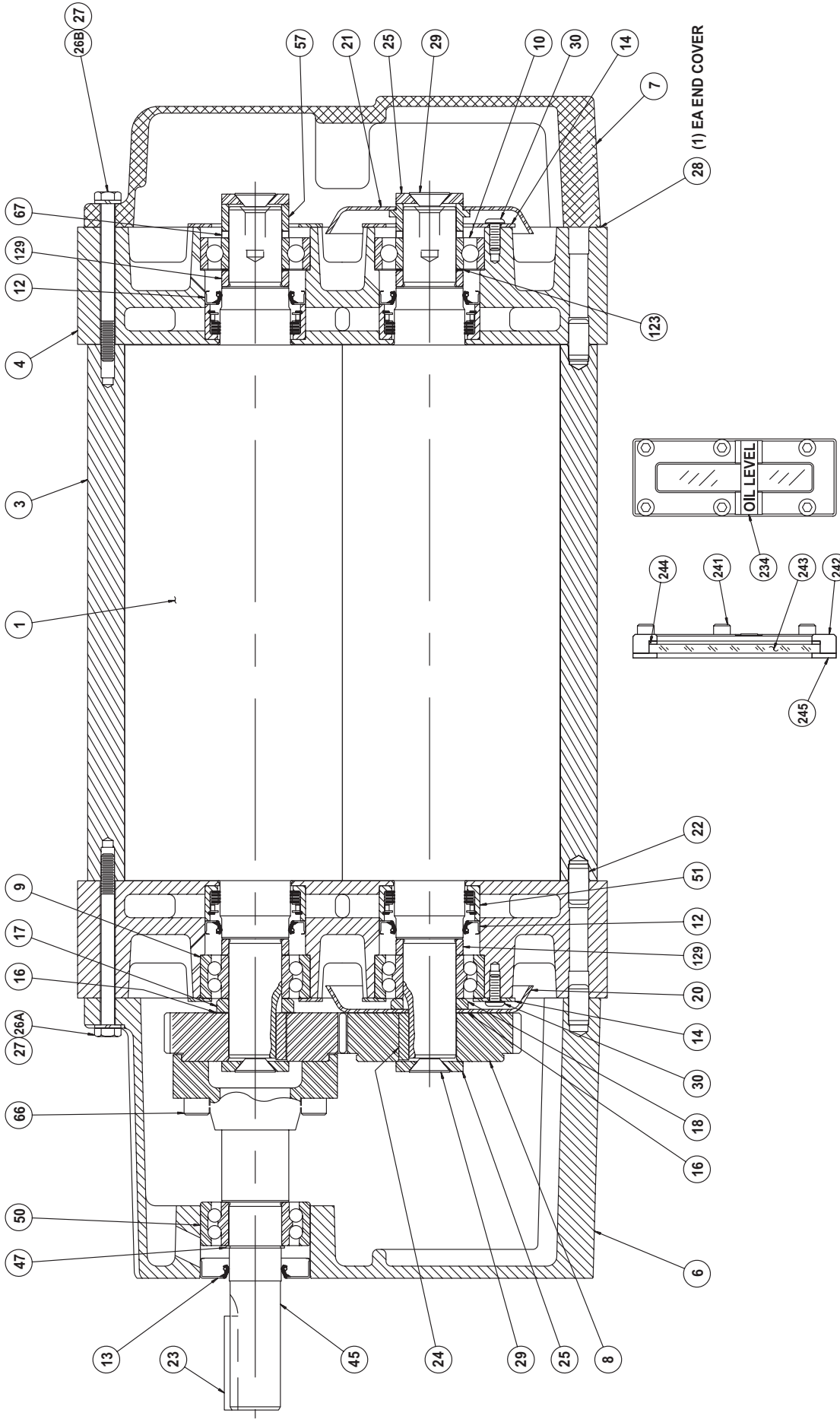
NOTES:

- QUANTITIES SHOWN ARE MAXIMUM VALUES;
QUANTITIES MAY VARY BETWEEN BLOWER

PARTS KITS ARE AVAILABLE, AS FOLLOWS:

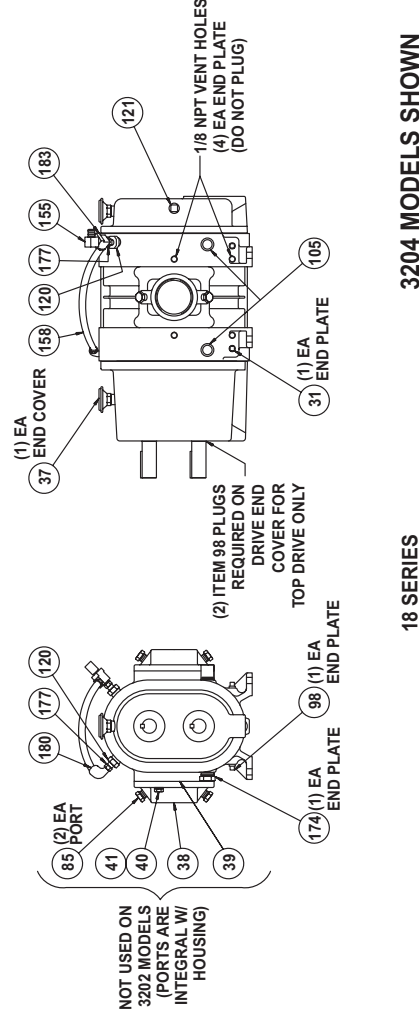
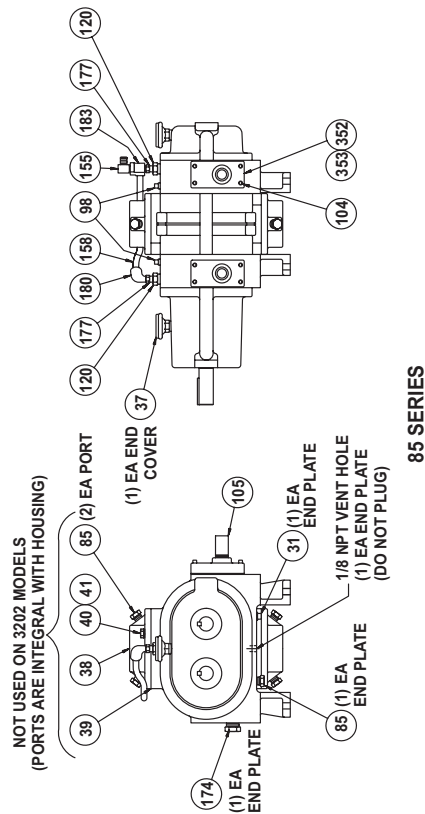
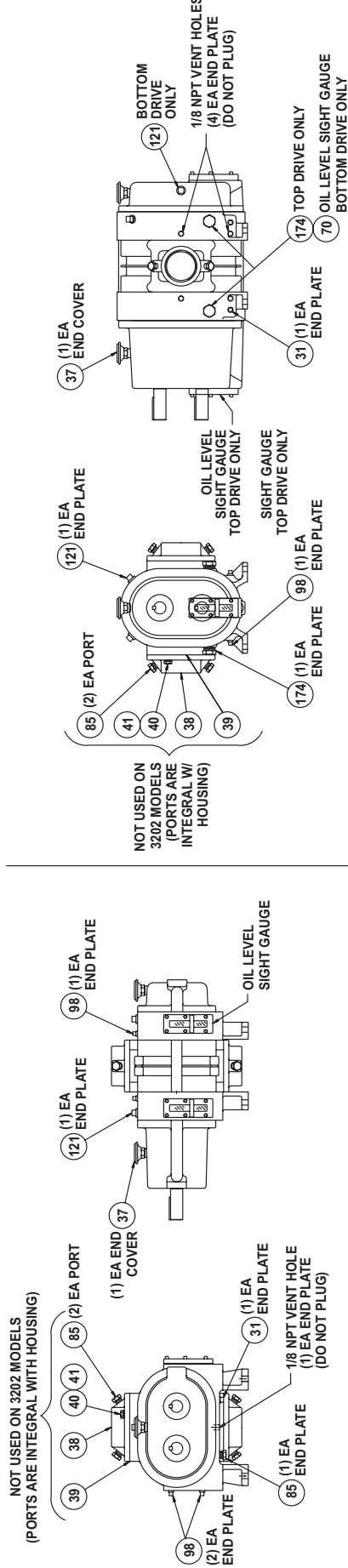
64/67 — P/N 29240

ASSEMBLY DRAWINGS FOR MODEL 3200 - 17/18/46/85 — CUTAWAY VIEW



OIL LEVEL SIGHT GAUGE DETAIL
NOT USED ON 18/85 SERIES OR BOTTOM DRIVE UNITS

ASSEMBLY DRAWINGS FOR MODEL 3200 - 1718/46/85 — SIDE AND END VIEWS

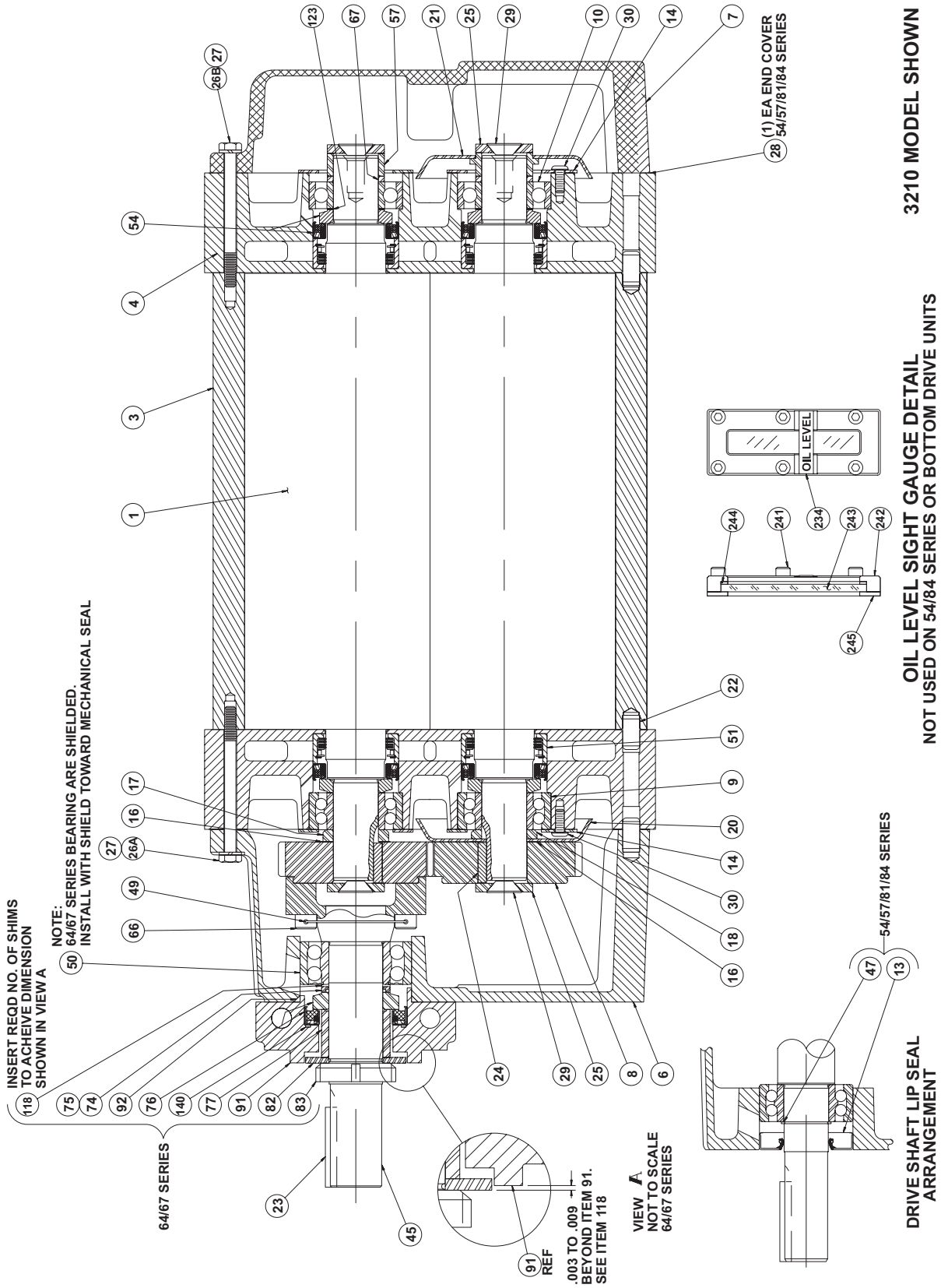


3204 MODELS SHOWN

18 SERIES

85 SERIES

ASSEMBLY DRAWINGS FOR MODEL 3200 - 54/57/64/67/81/84 — CUTAWAY VIEW

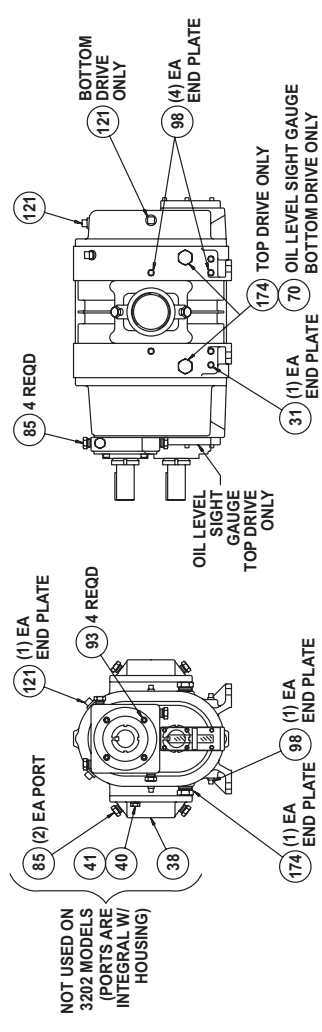
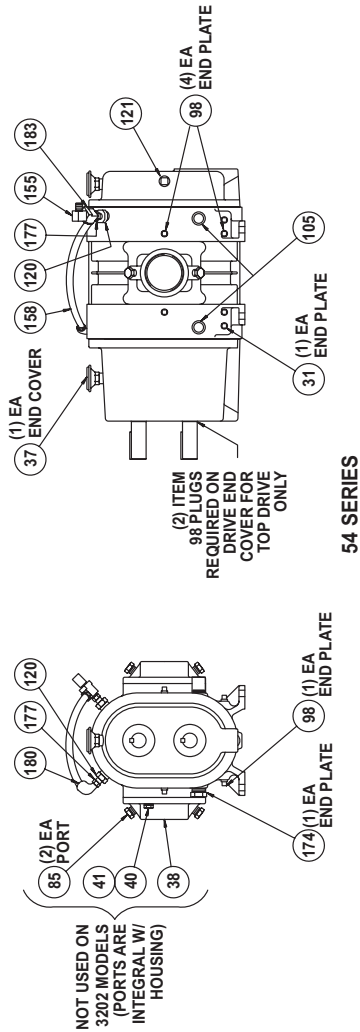
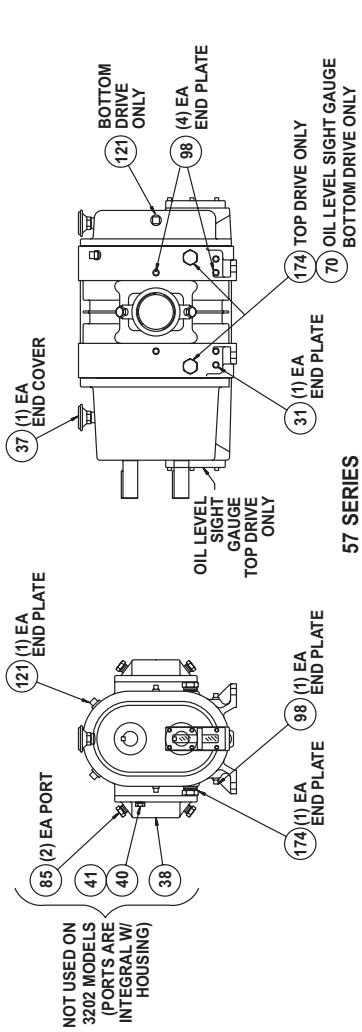
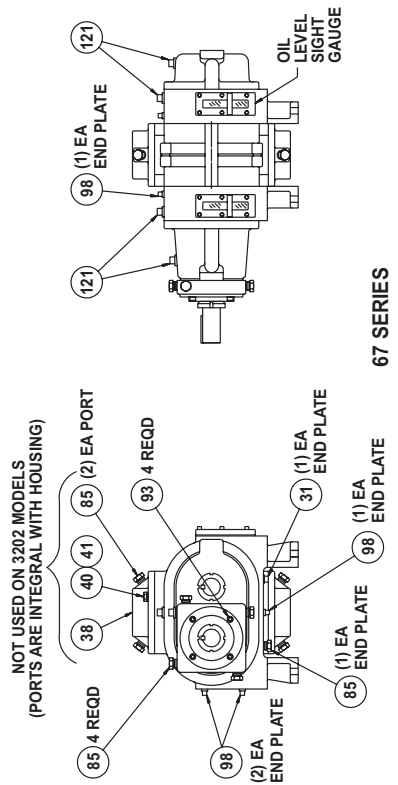
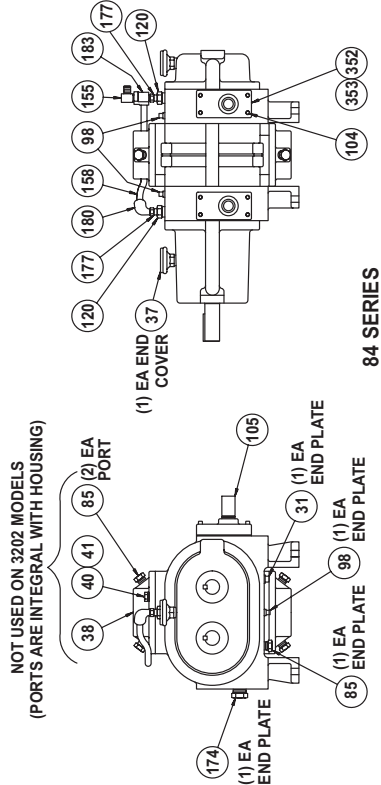
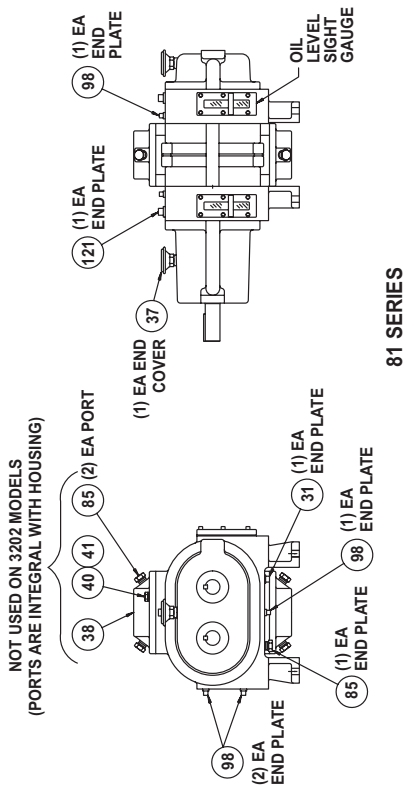


3210 MODEL SHOWN

OIL LEVEL SIGHT GAUGE DETAIL
 NOT USED ON 54/84 SERIES OR BOTTOM DRIVE UNITS

DRIVE SHAFT LIP SEAL ARRANGEMENT

ASSEMBLY DRAWINGS FOR MODEL 3200 - 54/57/64/67/81/84 — SIDE AND END VIEWS



3204 MODELS SHOWN