

PARTS LIST FOR MODEL 7000 SERIES - 17/46

ITEM NO.	PART DESCRIPTION	17 / 46 QTY
1	ROTOR	2
3	HOUSING	1
4	END PLATE	2
6	DRIVE END COVER	1
7	FREE END COVER	1
8	TIMING GEAR SET	1
9	BEARING, DRIVE END	2
10	BEARING, FREE END	2
12	LIP SEAL, VITON	4
13	LIP SEAL, VITON	1
14	RETAINER	2
15	RETAINER	2
20	OIL SLINGER	1
22	DOWEL PIN	8
23	DRIVE SHAFT KEY	1
24	GEAR KEY	2
25	ROTOR SHAFT WASHER	4
26	CAP SCREW	36
29	BOLT	4
30	CAP SCREW	16
31	MAGNETIC PIPE PLUG	2
37	BREATHER	2
42	NAMEPLATE	1
45	DRIVE SHAFT	1
50	BEARING	1
51	LAB SEAL	4
59	ROTOR LOCKING TAB	4
66	CAP SCREW	4
68	DOWEL PIN	4
70	SIGHT GAUGE WINDOW	2
80	LOCK WASHER	4
85	PIPE PLUG	14
91	NOSE PIECE LIP SEAL	1
92	O-RING, VITON	1
93	CAP SCREW	4
100	STRAIGHT THREAD ADAPTOR	2
109	PLUG	12 / 0
195	LIFTING LUG	2
196	CAP SCREW	2
199	O-RING, VITON	2
304	MOUNTING FOOT	2
307	CAP SCREW	4
339	PLUG	4
395	OIL SLINGER	2

NOTES:

- QUANTITIES SHOWN ARE MAXIMUM VALUES; QUANTITIES MAY VARY BETWEEN BLOWER

PARTS KITS ARE AVAILABLE, AS FOLLOWS:

17/46 — P/N 77051

PARTS LIST FOR MODEL 7000 SERIES - 57/81

ITEM NO.	PART DESCRIPTION	57 / 81 QTY
1	ROTOR	2
3	HOUSING	1
4	END PLATE	2
6	DRIVE END COVER	1
7	FREE END COVER	1
8	TIMING GEAR SET	1
9	BEARING, DRIVE END	2
10	BEARING, FREE END	2
13	LIP SEAL, VITON	1
14	RETAINER	2
15	RETAINER	2
20	OIL SLINGER	1
22	DOWEL PIN	8
23	DRIVE SHAFT KEY	1
24	GEAR KEY	2
25	ROTOR SHAFT WASHER	4
26	CAP SCREW	36
29	BOLT	4
30	CAP SCREW	16
31	MAGNETIC PIPE PLUG	2
37	BREATHER	2
42	NAMEPLATE	1
45	DRIVE SHAFT	1
50	BEARING	1
51	LAB SEAL	4
54	MECHANICAL SEAL	4
59	ROTOR LOCKING TAB	4
66	CAP SCREW	4
68	DOWEL PIN	4
70	SIGHT GAUGE WINDOW	2
74	SEALING RING	4
75	O-RING, VITON	4
80	LOCK WASHER	4
85	PIPE PLUG	14
91	NOSE PIECE LIP SEAL	1
92	O-RING, VITON	1
93	CAP SCREW	4
100	STRAIGHT THREAD ADAPTOR	2
109	PLUG	4 / —
121	PLUG	10 / —
195	LIFTING LUG	2
196	CAP SCREW	2
199	O-RING, VITON	2
300	ROLL PIN	4
304	MOUNTING FOOT	2
307	CAP SCREW	4
339	PLUG	4
395	OIL SLINGER	2

NOTES:

- QUANTITIES SHOWN ARE MAXIMUM VALUES; QUANTITIES MAY VARY BETWEEN BLOWER

PARTS KITS ARE AVAILABLE, AS FOLLOWS:

57/81 — P/N 77069

PARTS LIST FOR MODEL 7000 SERIES - 64/67

ITEM NO.	PART DESCRIPTION	64 / 67 QTY
1	ROTOR	2
3	HOUSING	1
4	END PLATE	2
6	DRIVE END COVER	1
7	FREE END COVER	1
8	TIMING GEAR SET	1
9	BEARING, DRIVE END	2
10	BEARING, FREE END	2
13	LIP SEAL, VITON	1
14	RETAINER	2
15	RETAINER	2
20	OIL SLINGER	1
22	DOWEL PIN	8
23	DRIVE SHAFT KEY	1
24	GEAR KEY	2
25	ROTOR SHAFT WASHER	4
26	CAP SCREW	36
29	BOLT	4
30	CAP SCREW	16
31	MAGNETIC PIPE PLUG	2
42	NAMEPLATE	1
45	DRIVE SHAFT	1
50	BEARING	1
51	LAB SEAL	4
54	MECHANICAL SEAL	5
59	ROTOR LOCKING TAB	4
66	CAP SCREW	4
68	DOWEL PIN	4
70	SIGHT GAUGE WINDOW	2
74	SEALING RING	4
75	O-RING, VITON	5
80	LOCK WASHER	4
85	PIPE PLUG	14
89	MECHANICAL SEAL LOCK RING	1
90	SET SCREW	3
91	NOSE PIECE LIP SEAL	1
92	O-RING, VITON	1
93	CAP SCREW	4
98	PLUG	4
109	PLUG	12 / —
121	PLUG	10 / —
195	LIFTING LUG	2
196	CAP SCREW	2
199	O-RING, VITON	2
300	ROLL PIN	5
304	MOUNTING FOOT	2
307	CAP SCREW	4
339	PLUG	6
395	OIL SLINGER	2

NOTES:

- QUANTITIES SHOWN ARE MAXIMUM VALUES; QUANTITIES MAY VARY BETWEEN BLOWER

PARTS KITS ARE AVAILABLE. AS FOLLOWS:

64/67 — P/N 77052

PARTS LIST FOR MODEL 7000 SERIES - 19/86

ITEM NO.	PART DESCRIPTION	19 / 86 QTY	ITEM NO.	PART DESCRIPTION	19 / 86 QTY
1	ROTOR	2	155	TUBE ELBOW	2
3	HOUSING	1	161	TUBE, AL	2 / —
4	END PLATE	2	162	TUBE, AL	1 / —
6	DRIVE END COVER	1	163	TUBE ELBOW	1
7	FREE END COVER	1	165	TUBE CONNECTOR	1
8	TIMING GEAR SET	1	172	REDUCING BUSHING	1
9	BEARING, DRIVE END	2	174	PIPE PLUG	1
10	BEARING, FREE END	1	179	TUBE, AL	1 / —
10	BEARING	1	187	TUBE	1
12	LIP SEAL, VITON	4	188	TUBE ELBOW, UNION	4 / 2
13	LIP SEAL, VITON	1	195	LIFTING LUG	2
14	RETAINER	3	196	CAP SCREW	2
15	RETAINER	1	212	CAP SCREW	2
20	OIL SLINGER	1	226	FLAT WASHER	2
22	DOWEL PIN	8	235	MALE TUBE ADAPTOR	5
23	DRIVE SHAFT KEY	1	236	TUBE, AL	2 / —
24	GEAR KEY	2	262	GAUGE, 30 HG - 30 PIS, LIQUID FILLED	1
25	ROTOR SHAFT WASHER	3	265	BY-PASS RELIEF VALVE	1
26	CAP SCREW	36	270	OIL FILTER ADAPTER	1
29	BOLT	3	271	PIPE PLUG	2
30	CAP SCREW	16	294	MALE TUBE ADAPTOR	1
31	MAGNETIC PIPE PLUG	1	302	O-RING, VITON	2
37	BREATHER	2	304	MOUNTING FOOT	2
42	NAMEPLATE	1	306	SLEEVE	1
45	DRIVE SHAFT	1	307	CAP SCREW	4
50	BEARING	1	322	CAP SCREW	4
51	LAB SEAL	4	325	O-RING, VITON	1
57	ROTOR SPACER	1	329	PLUG	1
59	ROTOR LOCKING TAB	3	336	ORIFICE FITTING	5
66	CAP SCREW	4	337	KEY	2
67	BEARING SPACER	1	339	PLUG	8
68	DOWEL PIN	3	349	PIPE	1
69	CAP SCREW	4	350	CAP SCREW	36
80	LOCK WASHER	4	351	PIPE	4
91	NOSE PIECE LIP SEAL	1	354	REDUCER BUSHING	5
92	O-RING, VITON	1	360	OIL FILTER THREADED TUBE	1
93	CAP SCREW	4	369	TUBE	1
100	ADAPTOR	2	395	OIL SLINGER	2
101	ST ELBOW	1	446	OIL PUMP COVER	1
102	PIPE TBE	1	449	ROTOR SPROCKET ADAPTER	1
106	PIPE COUPLING	1	450A	CHAIN, ROLLER	1
109	PIPE PLUG	14	450B	CHAIN LINK CONNECTOR, NO. 35	1
110	CAP SCREW	3	451	SPROCKET, NO. 35	1
121	PIPE PLUG	4 / 8	452	SPROCKET, NO. 35	1
122	SET SCREW	2	458	PUMP HOUSING	1
124	OIL FILTER, SPIN ON	1	459	OIL GAUGE, BULLSEYE	1
125	PUMP MOUNTING BRACKET	1 / 4	479	TUBE, AL	— / 1
135	UNION, TEE, TUBE	4			
136	LOCK WASHER	4			
144	OIL PUMP	1			
147	TUBE, AL	1 / —			

NOTES:

- QUANTITIES SHOWN ARE MAXIMUM VALUES; QUANTITIES MAY VARY BETWEEN BLOWER

PARTS KITS ARE AVAILABLE. AS FOLLOWS:

19/86 — P/N 77110

PARTS LIST FOR MODEL 7000 SERIES - 82

ITEM NO.	PART DESCRIPTION	QTY
1	ROTOR	2
3	HOUSING	1
4	END PLATE	2
6	DRIVE END COVER	1
7	FREE END COVER	1
8	TIMING GEAR SET	1
9	BEARING, DRIVE END	2
10	BEARING, FREE END	1
10	BEARING	1
13	LIP SEAL, VITON	1
14	RETAINER	3
15	RETAINER	1
20	OIL SLINGER	1
22	DOWEL PIN	8
23	DRIVE SHAFT KEY	1
24	GEAR KEY	2
25	ROTOR SHAFT WASHER	3
26	CAP SCREW	36
29	BOLT	3
30	CAP SCREW	16
31	MAGNETIC PIPE PLUG	1
37	BREATHER	2
42	NAMEPLATE	1
45	DRIVE SHAFT	1
50	BEARING	1
51	LAB SEAL	4
54	MECHANICAL SEAL	4
57	ROTOR SPACER	1
59	ROTOR LOCKING TAB	3
66	CAP SCREW	4
67	BEARING SPACER	1
68	DOWEL PIN	3
69	CAP SCREW	4
74	SEALING RING	4
75	O-RING, VITON	4
80	LOCK WASHER	4
91	NOSE PIECE LIP SEAL	1
92	O-RING, VITON	1
93	CAP SCREW	4
100	ADAPTOR	2
101	ST ELBOW	1
102	PIPE TBE	1
106	PIPE COUPLING	1
109	PIPE PLUG	14
110	CAP SCREW	3
121	PIPE PLUG	10
122	SET SCREW	2
124	OIL FILTER, SPIN ON	1
125	PUMP MOUNTING BRACKET	1
135	UNION, TEE, TUBE	4

ITEM NO.	PART DESCRIPTION	QTY
136	LOCK WASHER	4
144	OIL PUMP	1
155	TUBE ELBOW	2
163	TUBE ELBOW	2
172	REDUCING BUSHING	1
174	PIPE PLUG	1
187	TUBE	1
188	TUBE ELBOW, UNION	2
195	LIFTING LUG	2
196	CAP SCREW	2
212	CAP SCREW	2
226	FLAT WASHER	2
235	MALE TUBE ADAPTOR	5
262	GAUGE, 30 HG - 30 PIS, LIQUID FILLED	1
265	BY-PASS RELIEF VALVE	1
270	OIL FILTER ADAPTER	1
271	PIPE PLUG	2
294	MALE TUBE ADAPTOR	1
300	ROLL PIN	4
302	O-RING, VITON	2
304	MOUNTING FOOT	2
306	SLEEVE	1
307	CAP SCREW	4
322	CAP SCREW	4
325	O-RING, VITON	1
329	PLUG	1
336	ORIFICE FITTING	5
337	KEY	2
339	PLUG	8
349	PIPE	1
350	CAP SCREW	36
351	PIPE	4
354	REDUCER BUSHING	5
360	OIL FILTER THREADED TUBE	1
369	TUBE	1
395	OIL SLINGER	2
446	OIL PUMP COVER	1
449	ROTOR SPROCKET ADAPTER	1
450A	CHAIN, ROLLER	1
450B	CHAIN LINK CONNECTOR, NO. 35	1
451	SPROCKET, NO. 35	1
452	SPROCKET, NO. 35	1
458	PUMP HOUSING	1
459	OIL GAUGE, BULLSEYE	1
479	TUBE, AL	1

NOTES:

- QUANTITIES SHOWN ARE MAXIMUM VALUES; QUANTITIES MAY VARY BETWEEN BLOWER

PARTS KITS ARE AVAILABLE. AS FOLLOWS:

82 — P/N 77111

PARTS LIST FOR MODEL 7000 SERIES - 66/69

ITEM NO.	PART DESCRIPTION	66 / 69 QTY	ITEM NO.	PART DESCRIPTION	66 / 69 QTY
1	ROTOR	2	161	TUBE, AL	2 / —
3	HOUSING	1	162	TUBE, AL	1 / —
4	END PLATE	2	163	TUBE ELBOW	1
6	DRIVE END COVER	1	165	TUBE CONNECTOR	1
7	FREE END COVER	1	172	REDUCING BUSHING	1
8	TIMING GEAR SET	1	174	PIPE PLUG	1
9	BEARING, DRIVE END	2	178	TUBE ADAPTOR	2
10	BEARING, FREE END	1	179	TUBE, AL	1 / —
10	BEARING	1	187	TUBE	1
13	LIP SEAL, VITON	1	188	TUBE ELBOW, UNION	4 / 2
14	RETAINER	3	195	LIFTING LUG	2
15	RETAINER	1	196	CAP SCREW	2
20	OIL SLINGER	1	212	CAP SCREW	2
22	DOWEL PIN	8	226	FLAT WASHER	2
23	DRIVE SHAFT KEY	1	235	MALE TUBE ADAPTOR	5
24	GEAR KEY	2	236	TUBE, AL	2 / —
25	ROTOR SHAFT WASHER	3	262	GAUGE, 30 HG - 30 PIS, LIQUID FILLED	1
26	CAP SCREW	36	265	BY-PASS RELIEF VALVE	1
29	BOLT	3	270	OIL FILTER ADAPTER	1
30	CAP SCREW	16	271	PIPE PLUG	2
31	MAGNETIC PIPE PLUG	1	294	MALE TUBE ADAPTOR	1
42	NAMEPLATE	1	300	ROLL PIN	5
45	DRIVE SHAFT	1	302	O-RING, VITON	2
50	BEARING	1	304	MOUNTING FOOT	2
51	LAB SEAL	4	306	SLEEVE	1
54	MECHANICAL SEAL	5	307	CAP SCREW	4
57	ROTOR SPACER	1	322	CAP SCREW	4
59	ROTOR LOCKING TAB	3	325	O-RING, VITON	1
66	CAP SCREW	4	329	PLUG	1
67	BEARING SPACER	1	336	ORIFICE FITTING	5
68	DOWEL PIN	3	337	KEY	2
69	CAP SCREW	4	339	PLUG	8
74	SEALING RING	4	349	PIPE	1
75	O-RING, VITON	5	350	CAP SCREW	36
80	LOCK WASHER	4	351	PIPE	4
89	MECHANICAL SEAL LOCK RING	1	354	REDUCER BUSHING	5
90	SET SCREW	3	355	TUBE, AL	1 / —
91	NOSE PIECE LIP SEAL	1	360	OIL FILTER THREADED TUBE	1
92	O-RING, VITON	1	369	TUBE	1
93	CAP SCREW	4	395	OIL SLINGER	2
101	ST ELBOW	1	446	OIL PUMP COVER	1
102	PIPE TBE	1	449	ROTOR SPROCKET ADAPTER	1
106	PIPE COUPLING	1	450A	CHAIN, ROLLER	1
109	PIPE PLUG	14 / 12	450B	CHAIN LINK CONNECTOR, NO. 35	1
110	CAP SCREW	3	451	SPROCKET, NO. 35	1
121	PIPE PLUG	4 / 10	452	SPROCKET, NO. 35	1
122	SET SCREW	2	458	PUMP HOUSING	1
124	OIL FILTER, SPIN ON	1	459	OIL GAUGE, BULLSEYE	1
125	PUMP MOUNTING BRACKET	1	479	TUBE, AL	— / 1
135	UNION, TEE, TUBE	4			
136	LOCK WASHER	4			
144	OIL PUMP	1			
147	TUBE, AL	1 / —			
155	TUBE ELBOW	2			

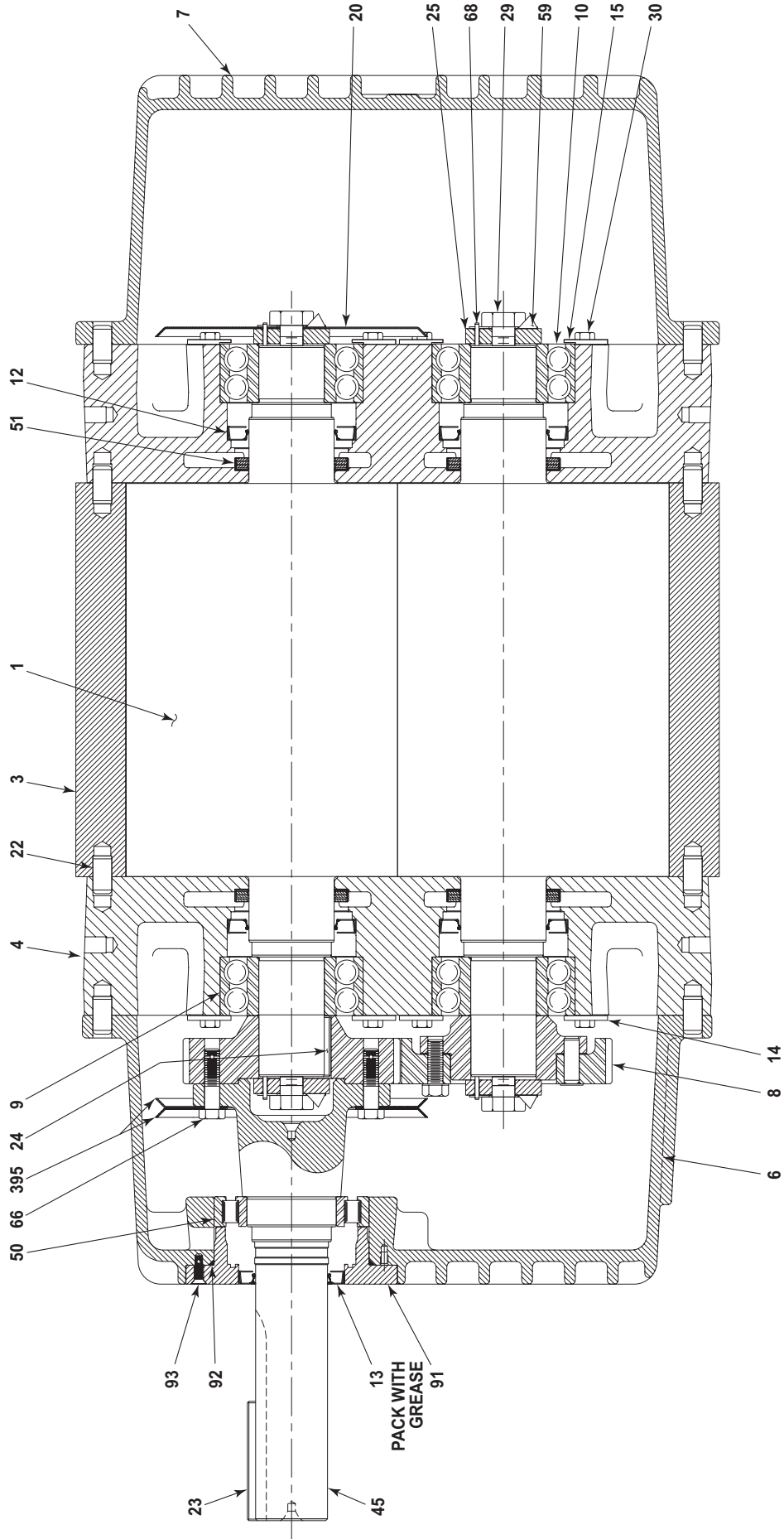
NOTES:

- QUANTITIES SHOWN ARE MAXIMUM VALUES; QUANTITIES MAY VARY BETWEEN BLOWER

PARTS KITS ARE AVAILABLE. AS FOLLOWS:

66/69 — P/N 77101

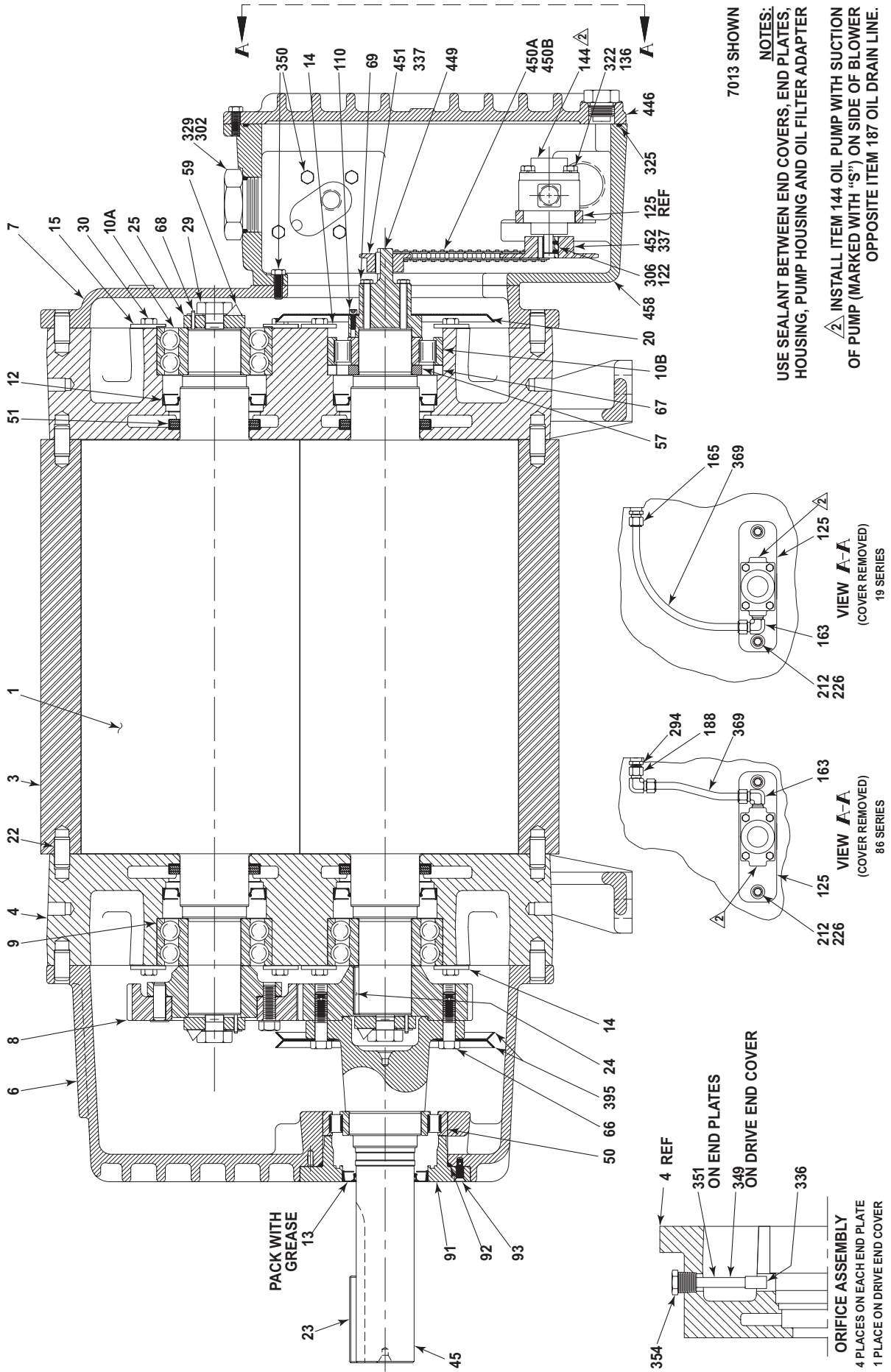
ASSEMBLY DRAWINGS FOR MODEL 7000-17/46 — CUTAWAY VIEW



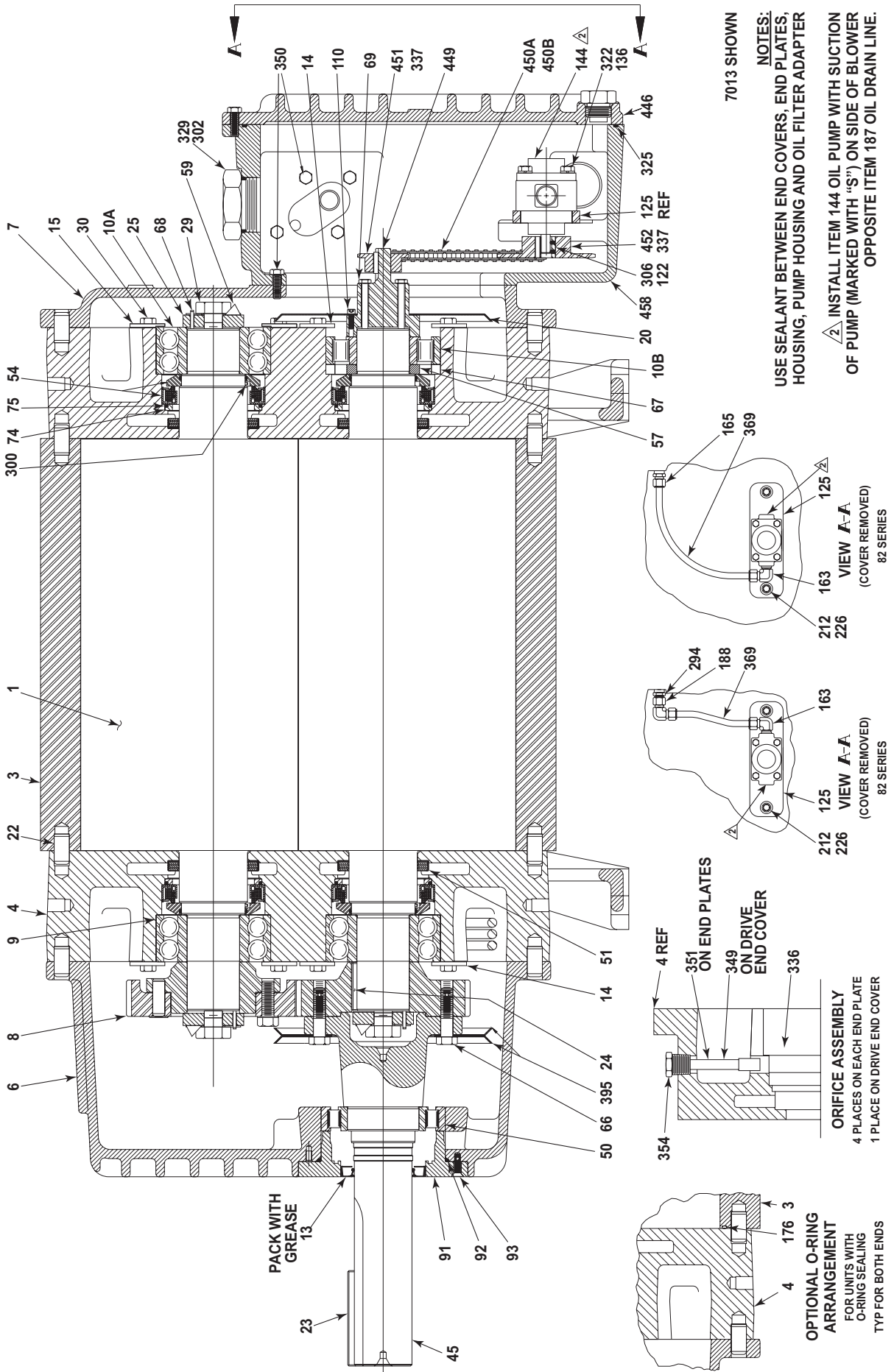
7013 SHOWN

NOTE: USE SEALANT BETWEEN
END COVERS, END PLATES & HOUSING

ASSEMBLY DRAWINGS FOR MODEL 7000-19/86 — CUTAWAY VIEW

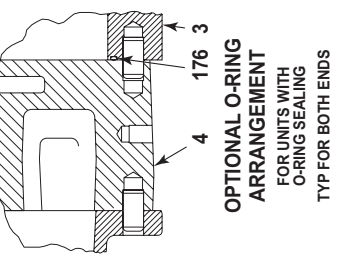
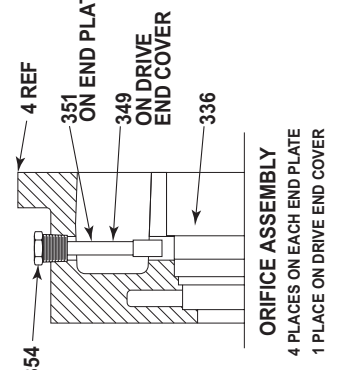
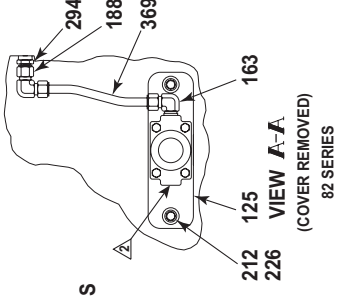
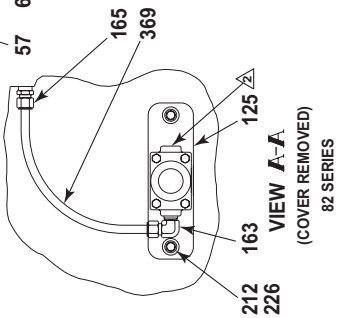


ASSEMBLY DRAWINGS FOR MODEL 7000-55/82 — CUTAWAY VIEW

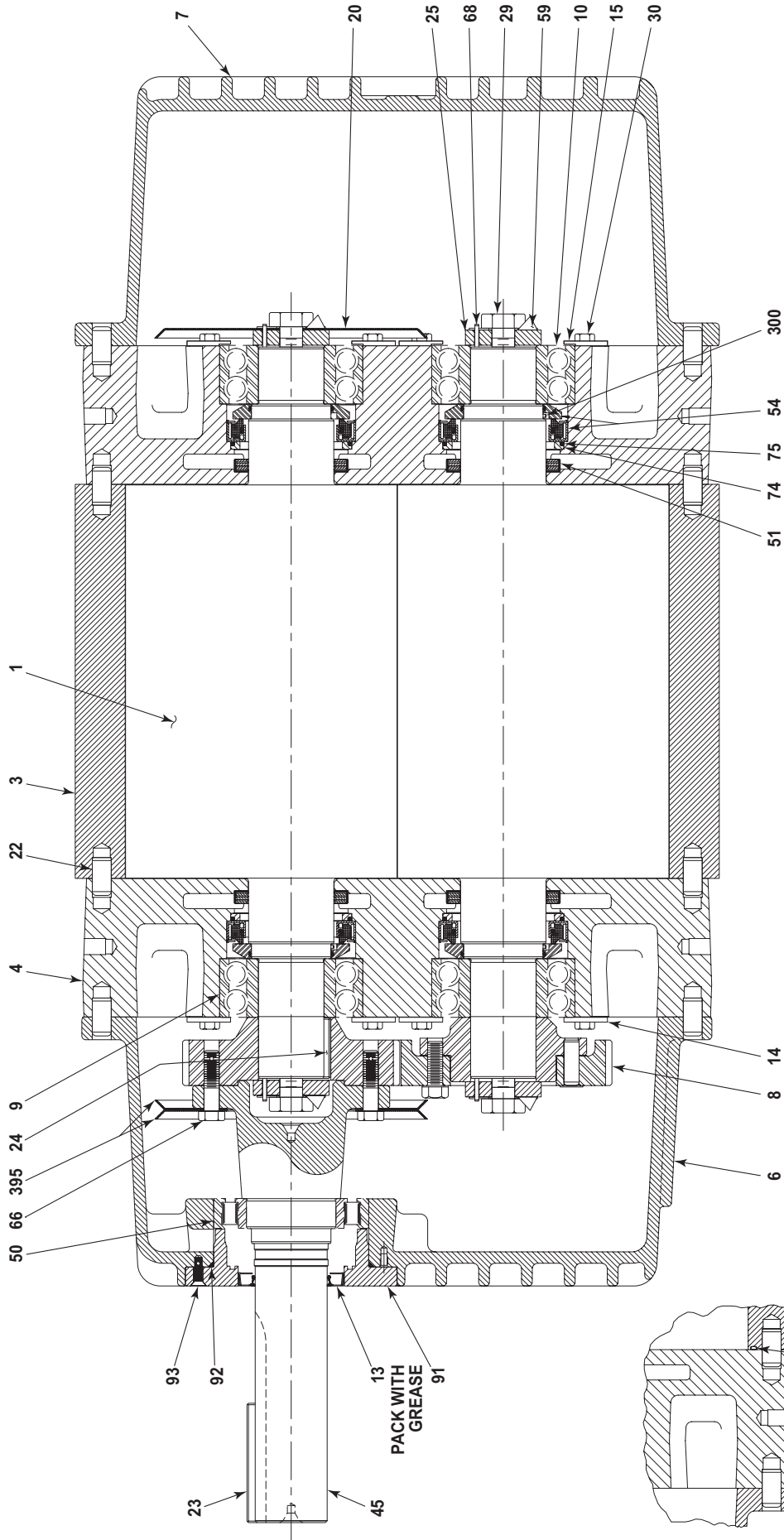


ASSEMBLY DRAWINGS FOR MODEL 7000-55/82 — CUTAWAY VIEW

7013 SHOWN
 NOTES:
 USE SEALANT BETWEEN END COVERS, END PLATES,
 HOUSING, PUMP HOUSING AND OIL FILTER ADAPTER
 2. INSTALL ITEM 144 OIL PUMP WITH SUCTION
 OF PUMP (MARKED WITH "S") ON SIDE OF BLOWER
 OPPOSITE ITEM 187 OIL DRAIN LINE.



ASSEMBLY DRAWINGS FOR MODEL 7000-57/81 — CUTAWAY VIEW

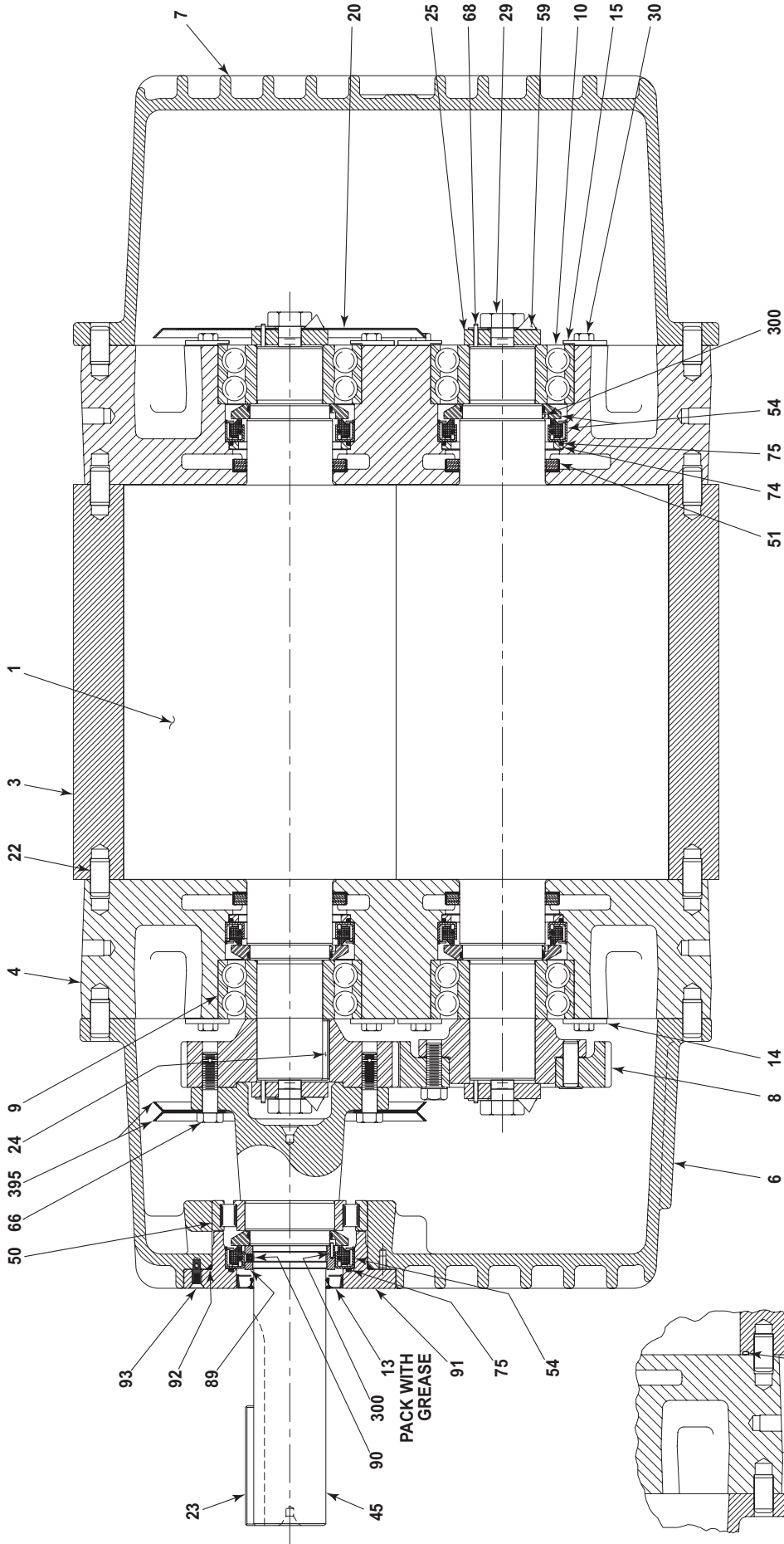


7013 SHOWN

NOTE: USE SEALANT BETWEEN
END COVERS, END PLATES & HOUSING

OPTIONAL O-RING
ARRANGEMENT
FOR UNITS WITH
O-RING SEALING
TYP FOR BOTH ENDS

ASSEMBLY DRAWINGS FOR MODEL 7000-64/67 — CUTAWAY VIEW

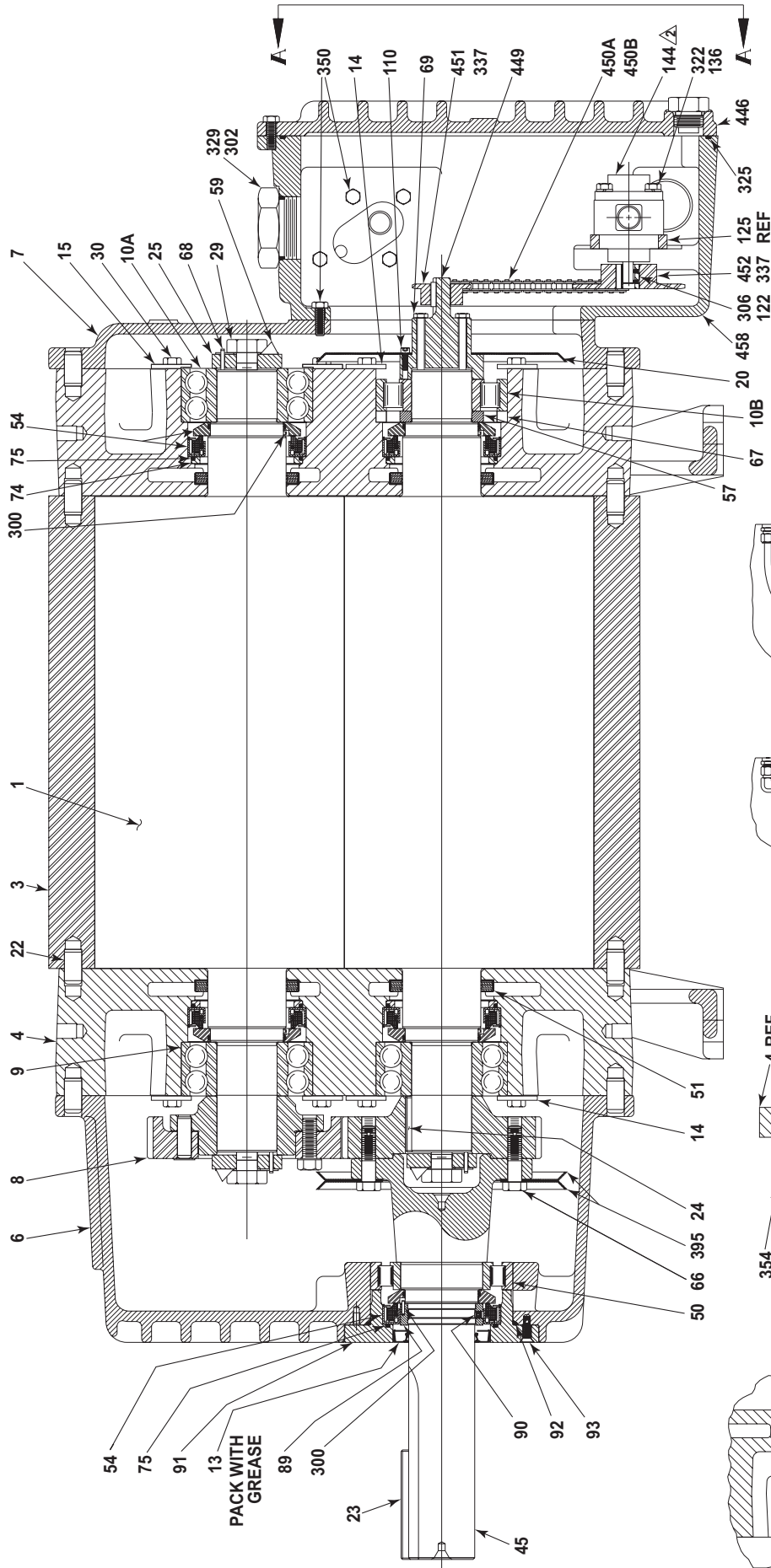


7013 SHOWN

NOTE: USE SEALANT BETWEEN
END COVERS, END PLATES & HOUSING

OPTIONAL O-RING
ARRANGEMENT
FOR UNITS WITH
O-RING SEALING
TYP FOR BOTH ENDS

ASSEMBLY DRAWINGS FOR MODEL 7000-66/69 — CUTAWAY VIEW



7013 SHOWN

NOTES:
 USE SEALANT BETWEEN END COVERS, END PLATES, HOUSING, PUMP HOUSING AND OIL FILTER ADAPTER
 2 INSTALL ITEM 144 OIL PUMP WITH SUCTION OF PUMP (MARKED WITH "S") ON SIDE OF BLOWER OPPOSITE ITEM 187 OIL DRAIN LINE.

